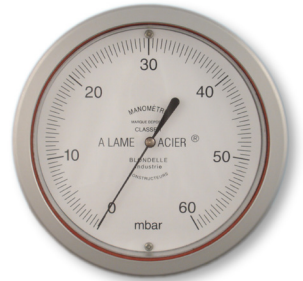
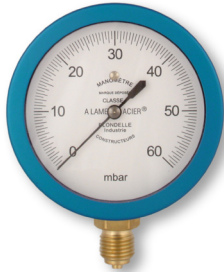


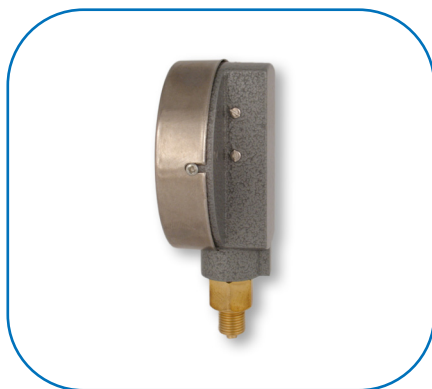
Blondelle®



PANIMPEX BLONDELLE INDUSTRY 2023



## Ø 60 Gauge, Aluminium, Dry



### Construction features

- Connection: vertical or rear, brass
- Light alloy case, hammered gray epoxy coating
- Glass in Polymetacrylate
- Glass fastening: by polished stainless steel hood
- Manometric element:
  - material: tombac
  - assembly: tin solder
- Zeroing screw accessible from the outside
- Brass amplifier mechanism

### Threads

- M10x100 - M15x150 - M20x150
- 1/4 GAS co.
- 1/8 GAS cyl. 1/4 GAS cyl. - 3/8 GAS cyl. - 1/2 GAS cyl.
- 1/8 BRIGGS co. - 1/4 BRIGGS co. - 1/2 BRIGGS co.
- 1/4 SAE
- Other threads: contact us

### Fixings

- By removable front collar (through mounting)
- By mounting bracket (surface mounting)

### Accessories

- Nut, socket & seal
- Anti-choc protection (gray, blue, red), with or without hook
- Plastic storage case, with protective foam

### Services

- Calibration or re-calibration with 6 point certificate, Retractable to a COFRAC or BELAC attached national standard.
- Repair Services

### Technical specifications

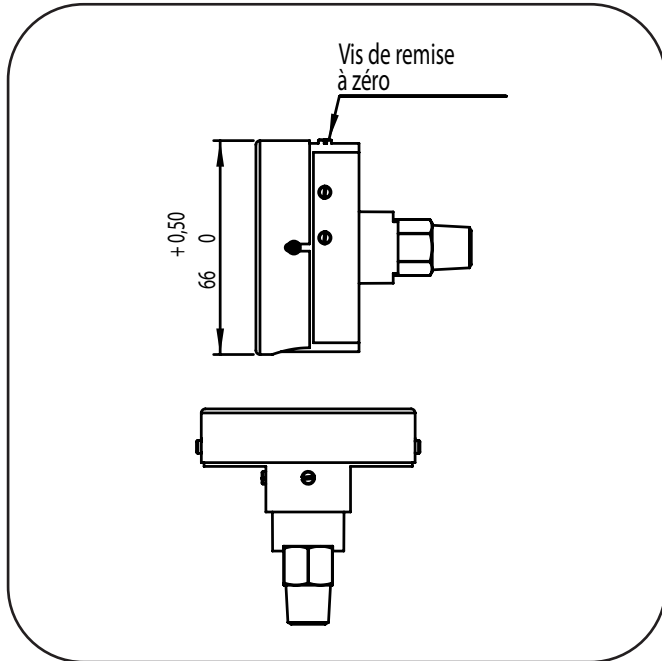
- Accuracy:  $\pm 1\%$  end of scale: Class 1
- Operating temperature:  $-40 + 70$  ° C
- Accidental pressure
  - 200% for scales below 50 bar
  - 150% for scales between 50 and 100 bar
  - 125% for scales over 100 bar
- Range of the scale: 300 °
- List of available dials: see attached table

### Options

- Silver brazing assembly (for temperatures above 70°C)
- Absolute Calibration
- Oxygen version
- Vacuum drying of the manometric element
- Filling of the manometer element with buffer fluid: glycerin
- Overload vent
- Max indicator system by follower needle
- Index needle
- Serialnumber printed on the dial
- Custom dial at the customer's request

# Ø 60 Gauge, Aluminium, Dry

## Rear Connection



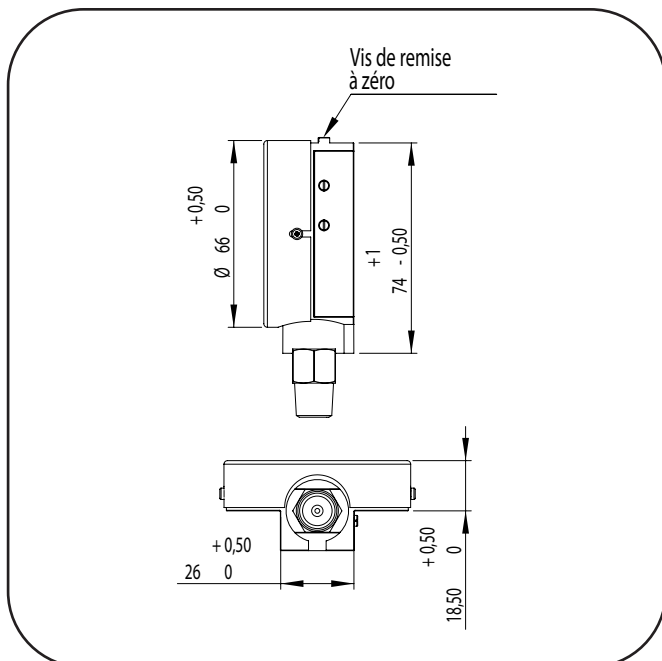
## Dials

### Industry

### Laboratory

-1000 mbar + 0	8820
-760 mmHG + 0	8361
-1000 + 1000mb	8360
-1 + 2 bar	8395
-1 + 3 bar	8785
-1 + 4 bar	8779
-1 + 5 bar	1218
-1 + 6 bar	8514
-1 + 8 bar	1220
-1 + 10 bar	8515
-1 + 16 bar	9139
-1 + 25 bar	1225
-1 + 30 bar	0030
-1 + 45 bar	2055
-1 + 50 bar	2056
0 + 1000 mbar	8761
0 + 2000 mbar	8355
0 + 2,5 bar	8317
0 + 3 bar	8626
0 + 4 bar	8350
0 + 5 bar	8464
0 + 6 bar	8463
0 + 8 bar	675
0 + 10 bar	8307
0 + 12 bar	676
0 + 15 bar	581
0 + 16 bar	8596
0 + 20 bar	2270
0 + 25 bar	8308
0 + 30 bar	8516
0 + 40 bar	668
0 + 50 bar	8517
0 + 60 bar	8309
0 + 80 bar	8419
0 + 100 bar	8351
0 + 120 bar	681
0 + 160 bar	9279
0 + 200 bar	8362
0 + 250 bar	8352
0 + 200 psi	2132
0 + 500 psi	2126
0 + 1500 psi	9028
0 + 2000 psi	8355
0 + 3000 psi	9076

## Vertical Connection



## Ø 60 Gauge, Aluminium, Oil-filled/Tight



### Construction features

- Connection: vertical or rear center, brass
- Light alloy case, hammered gray epoxy coating
- Glass in Polymetacrylate
- Glass fixation: by collar
- Manometric element:
  - material: tombac
  - assembly: tin solder
- Zeroing screw accessible from the outside
- Brass amplifier mechanism
- Housing filled with silicone oil for the «Oil-filled» version

### Threads

- M10x100 - M15x150 - M20x150
- 1/4 GAS co.
- 1/8 GAS cyl. 1/4 GAS cyl. - 3/8 GAS cyl. - 1/2 GAS cyl.
- 1/8 BRIGGS co. - 1/4 BRIGGS co. - 1/2 BRIGGS co.
- 1/4 SAE
- Other threads: contact us

### Fixings

- By mounting bracket (surface mounting)
- By fastening clamp (through mounting)

### Accessories

- Nut, socket & seal
- Plastic storage case, with protective foam

### Services

- Calibration or re-calibration with 6 point certificate, Retractable to a COFRAC or BELAC attached national standard.
- Repair Services

### Technical specifications

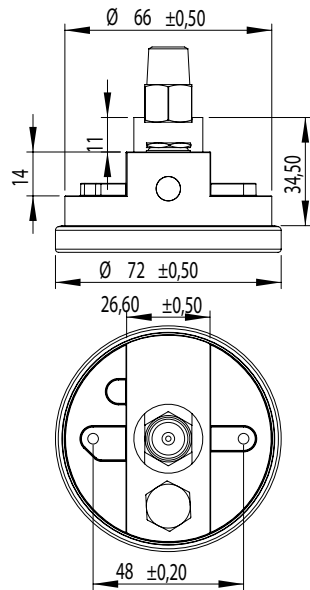
- Accuracy:  $\pm 1\%$  end of scale: Class 1
- Operating temperature:  $-40 + 70$  ° C
- Accidental pressure:
  - 200% for scales below 50 bar
  - 150% for scales between 50 and 100 bar
  - 125% for scales over 100 bar
- Range of the scale: 300 °
- List of available dials: see attached table

### Options

- Silver brazing assembly (for temperatures above 70°C)
- Oxygen calibration
- Silver brazing assembly (for temperatures above 70°C)
- Absolute Calibration
- Vacuum drying of the manometric element
- Filling of the manometer element with buffer fluid: glycerin
- Overload vent
- Serialnumber printed on the dial
- Custom dial at the customer's request

# Ø 60 Gauge, Aluminium, Oil-filled/Tight

## Rear Connection



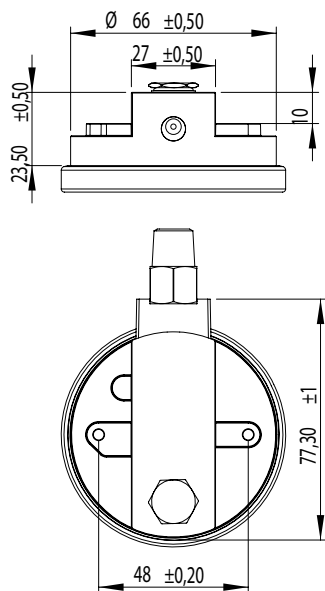
## Dials

### Industry

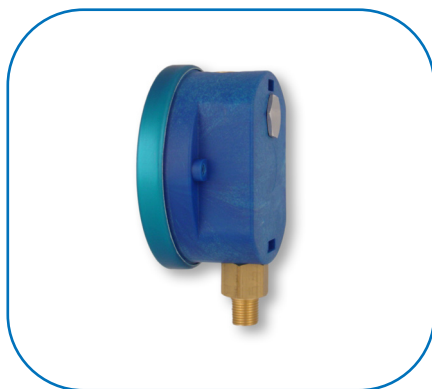
### Laboratory

-1000 mbar + 0	8820
-760 mmHG + 0	8361
-1000 + 1000mb	8360
-1 + 2 bar	8395
-1 + 3 bar	8785
-1 + 4 bar	8779
-1 + 5 bar	1218
-1 + 6 bar	8514
-1 + 8 bar	1220
-1 + 10 bar	8515
-1 + 16 bar	9139
-1 + 25 bar	1225
-1 + 30 bar	0030
-1 + 45 bar	2055
-1 + 50 bar	2056
0 + 1000 mbar	8761
0 + 2000 mbar	8355
0 + 2,5 bar	8317
0 + 3 bar	8626
0 + 4 bar	8350
0 + 5 bar	8464
0 + 6 bar	8463
0 + 8 bar	675
0 + 10 bar	8307
0 + 12 bar	676
0 + 15 bar	581
0 + 16 bar	8596
0 + 20 bar	2270
0 + 25 bar	8308
0 + 30 bar	8516
0 + 40 bar	668
0 + 50 bar	8517
0 + 60 bar	8309
0 + 80 bar	8419
0 + 100 bar	8351
0 + 120 bar	681
0 + 160 bar	9279
0 + 200 bar	8362
0 + 250 bar	8352
0 + 200 psi	2132
0 + 500 psi	2126
0 + 1500 psi	9028
0 + 2000 psi	8355
0 + 3000 psi	9076

## Vertical Connection



## Ø 60 Gauge, Composite, Tight or Oil-filled



### Construction features

- Connection: vertical or rear, brass
- Housing in reinforced composite material, blue, red or yellow
- Glass in Polymetacrylate
- Glass fixation: crimped collar (blue, red or yellow)
- Manometric element:
  - material: tombac
  - assembly: tin solder
- Zeroing screw accessible from the outside
- Brass amplifier mechanism
- Housing filled with silicone oil for the «Oil-filled» version

### Threads

- M10x100 - M15x150 - M20x150
- 1/4 GAS co.
- 1/8 GAS cyl. 1/4 GAS cyl. - 3/8 GAS cyl. - 1/2 GAS cyl.
- 1/8 BRIGGS co. - 1/4 BRIGGS co. - 1/2 BRIGGS co.
- 1/4 SAE
- Other threads: contact us

### Fixings

- By mounting bracket (surface mounting)
- By fastening clamp (through mounting)

### Accessories

- Nut, socket & seal
- Anti-choc protection (gray, blue, red or yellow)
- Plastic storage case, with protective foam

### Services

- Calibration or re-calibration with 6 point certificate, Retractable to a COFRAC or BELAC attached national standard.
- Repair Services

### Technical specifications

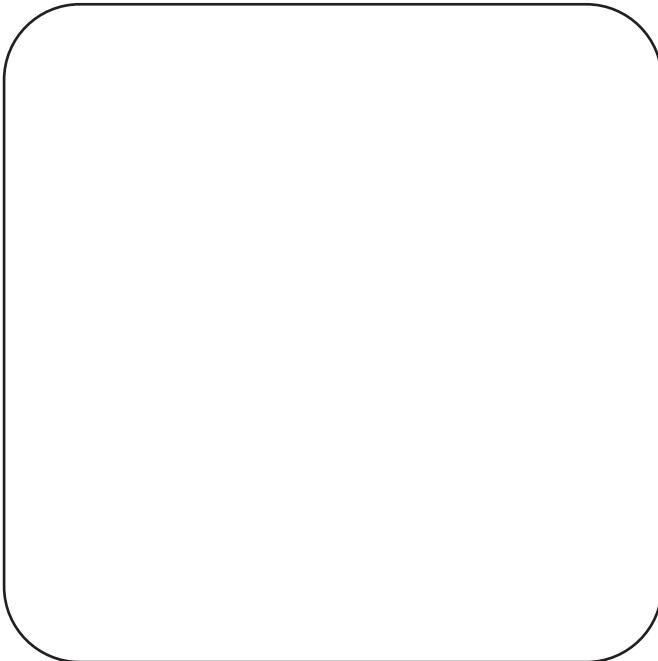
- Accuracy:  $\pm 1\%$  end of scale: Class 1
- Operating temperature:  $-40 + 70$  ° C
- Accidental pressure:
  - 200% for scales below 50 bar
  - 150% for scales between 50 and 100 bar
  - 125% for scales over 100 bar
- Range of the scale: 300 °
- List of available dials: see attached table

### Options

- Silver brazing assembly (for temperatures above 70°C)
- Absolute Calibration
- Vacuum drying of the manometric element
- Filling of the manometer element with buffer fluid: glycerin
- Overload vent (Dry & Tight version only)
- Index needle (Dry & Tight version only)
- Max indicator system by follower needle (Dry & Tight version only)
- Collar in green, yellow, black etc. consult us
- Serialnumber printed on the dial
- Custom dial at the customer's request

# Ø 60 Gauge, Composite, Tight or Oil-filled

## Rear Connection



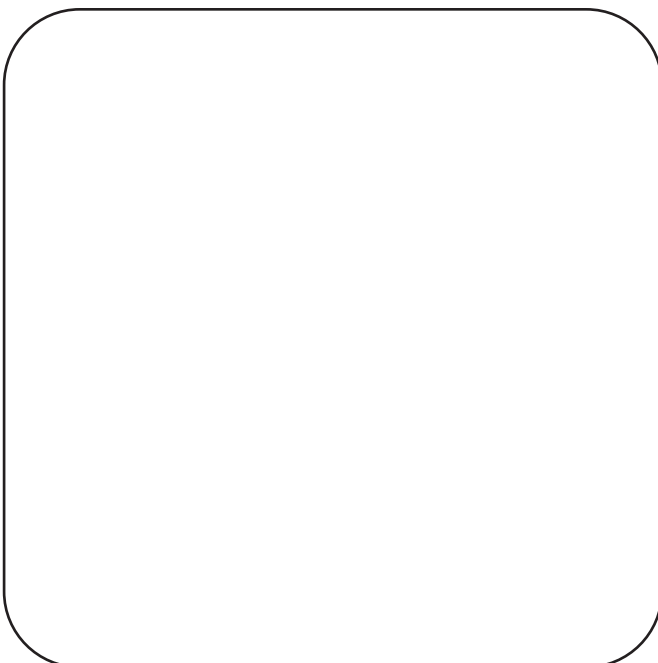
## Dials

### Industry

### Laboratory

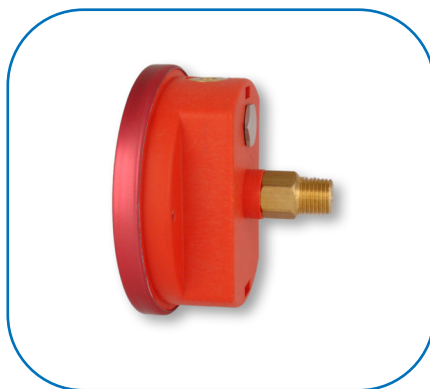
-1000 mbar + 0	8820
-760 mmHG + 0	
-1000 + 1000mb	8361
-1 + 2 bar	8360
-1 + 3 bar	8395
-1 + 4 bar	8785
-1 + 5 bar	8779
-1 + 6 bar	1218
-1 + 8 bar	8514
-1 + 10 bar	1220
-1 + 16 bar	8515
-1 + 25 bar	9139
-1 + 30 bar	1225
-1 + 45 bar	0030
-1 + 50 bar	2055
0 + 1000 mbar	2056
0 + 2000 mbar	8761
0 + 2,5 bar	8355
0 + 3 bar	8317
0 + 4 bar	8626
0 + 5 bar	8350
0 + 6 bar	8464
0 + 8 bar	8463
0 + 10 bar	675
0 + 12 bar	8307
0 + 15 bar	676
0 + 16 bar	581
0 + 20 bar	8596
0 + 25 bar	2270
0 + 30 bar	8308
0 + 40 bar	8516
0 + 50 bar	668
0 + 60 bar	8517
0 + 80 bar	8309
0 + 100 bar	8419
0 + 120 bar	8351
0 + 160 bar	681
0 + 200 bar	9279
0 + 250 bar	8362
0 + 200 psi	8352
0 + 500 psi	2132
0 + 1500 psi	2126
0 + 2000 psi	9028
0 + 3000 psi	8355
	9076

## Vertical Connection





## Ø 80 Gauge, Composite, Tight or Oil-filled



### Construction features

- Connection: vertical or rear, brass
- Housing in reinforced composite material, blue, red or yellow
- Glass in Polymetacrylate
- Glass fixation: by collar (blue, red or yellow)
- Manometric element:
  - material: tombac
  - assembly: tin solder
- Zeroing screw accessible from the outside
- Brass amplifier mechanism
- Housing filled with silicone oil for the «Oil-filled» version

### Threads

- M10x100 - M15x150 - M20x150
- 1/4 GAS co.
- 1/8 GAS cyl. 1/4 GAS cyl. - 3/8 GAS cyl. - 1/2 GAS cyl.
- 1/8 BRIGGS co. - 1/4 BRIGGS co. - 1/2 BRIGGS co.
- 1/4 SAE
- Other threads: contact us

### Fixings

- By mounting bracket (surface mounting)
- By fastening clamp (through mounting)

### Accessories

- Nut, socket & seal
- Anti-choc protection (gray, blue, red or yellow)
- Plastic storage case, with protective foam

### Services

- Calibration or re-calibration with 6 point certificate, Retractable to a COFRAC or BELAC attached national standard.
- Repair Services

### Technical specifications

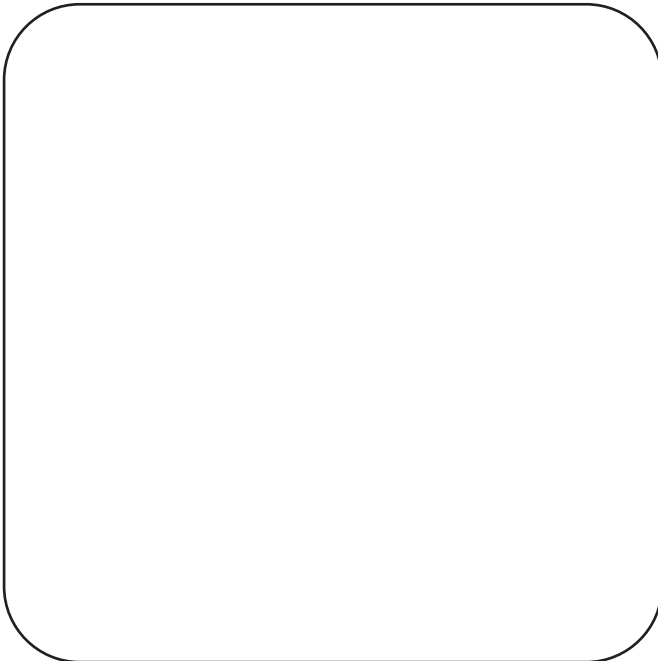
- Accuracy:  $\pm 1\%$  end of scale: Class 1
- Operating temperature:  $-40 + 70^{\circ}\text{C}$
- Accidental pressure:
  - 200% for scales below 50 bar
  - 150% for scales between 50 and 100 bar
  - 125% for scales over 100 bar
- Range of the scale: 300 °
- List of available dials: see attached table

### Options

- Silver brazing assembly (for temperatures above  $70^{\circ}\text{C}$ )
- Stainless version (max. Scale 100 bar)  
Manometric element and all parts in contact with the fluid in stainless steel 316L
- Absolute Calibration
- Vacuum drying of the manometric element
- Filling of the manometer element with buffer fluid: glycerin
- Overload vent (Dry & Tight version only)
- Index needle (Dry & Tight version only)
- Max indicator system by follower needle (Dry & Tight version only)
- Collar in green, yellow, black etc. : consult us
- Serialnumber printed on the dial
- Custom dial at the customer's request

# Ø 80 Gauge, Composite, Dry/Oil-filled/Tight

## Rear Connection



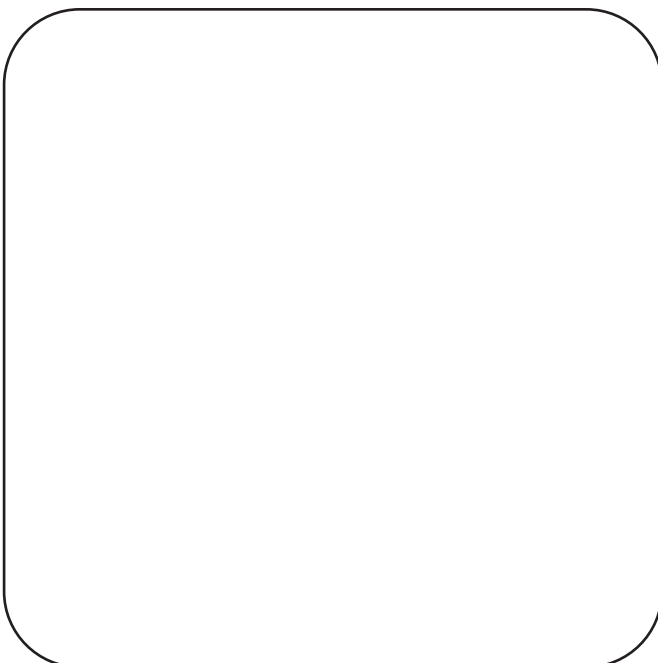
## Dials

### Industry

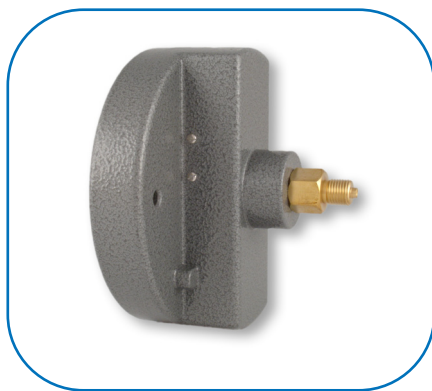
### Laboratory

-1000 mbar + 0	6104
0 +1000 mbar P.Abs.	6090
-760 mmHg + 0	6100
-1 + 2 bar	8363
-1 +10 bar	8010
-1 +16 bar	6364
-1 +30 bar	8030
0 +600 mbar	6031
0 +2,5 bar	6032
0 +3 bar	9013
0 +4 bar	8237
0 +6 bar	8463
0 +8 bar	6138
0 +10 bar	8439
0 +16 bar	8244
0 +25 bar	8443
0 +30 bar	3000
0 +40 bar	8527
0 +60 bar	8444
0 +80 bar	
0 +100 bar	8851
0 +160 bar	6464
0 +200 bar	
0 +250 bar	

## Vertical Connection



## Ø 100 Gauge, Aluminium, Dry



### Construction features

- Connection: vertical or rear, brass
- Light alloy case, hammered gray epoxy coating
- Glass Polymetacrylate
- Glass fixation: by cadmium steel ring
- Manometric element:
  - material: tombac
  - assembly: tin solder
- Zeroing screw accessible from the outside
- Brass amplifier mechanism

### Threads

- M10x100 - M15x150 - M20x150
- 1/4 GAS co.
- 1/8 GAS cyl. 1/4 GAS cyl. - 3/8 GAS cyl. - 1/2 GAS cyl.
- 1/8 BRIGGS co. - 1/4 BRIGGS co. - 1/2 BRIGGS co.
- 1/4 SAE
- Other threads: contact us

### Fixings

- By removable front collar (through mounting)
- By mounting bracket (surface mounting)

### Accessories

- Nut, socket & seal
- Anti-choc protection (gray, blue or red), with or without hook
- Plastic storage case, with protective foam

### Services

- Calibration or re-calibration with 6 point certificate, Retractable to a COFRAC or BELAC attached national standard.
- Repair Services

### Technical specifications

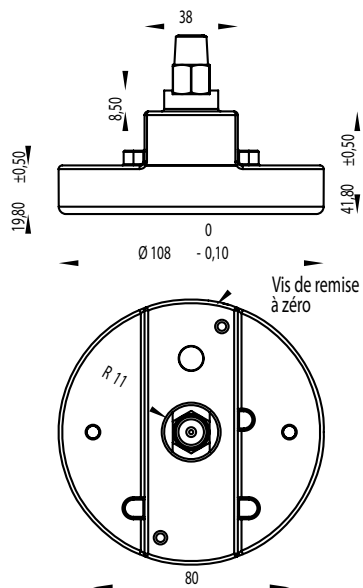
- Accuracy :
  - **Industry:**  $\pm 1\%$  end of scale: Class 1
  - **Laboratory:**  $\pm 1\%$  of reading (maximum scale 100 bar)
- Operating temperature:  $- 40 + 70$  ° C
- Accidental pressure:
  - 200% for scales below 50 bar
  - 150% for scales between 50 and 100 bar
  - 125% for scales over 100 bar
- Range of the scale: 300 °
- List of available dials: see attached table

### Options

- Silver brazing assembly (for temperatures above 70°C)
- Stainless version (max. Scale 100 bar)  
Manometric element and all parts in contact with the fluid in stainless steel 316L
- Absolute Calibration
- Oxygen version
- Vacuum drying of the manometric element
- Filling of the manometer element with buffer fluid: glycerin
- Overload vent
- Zeroing screw equipped with knurled knob
- Glass watertight and dustproof
- Max indicator system by follower needle
- Index needle
- Overload stop
- Serialnumber printed on the dial
- Custom dial at the customer's request

# Ø 100 Gauge, Aluminium, Dry

## Rear Connection



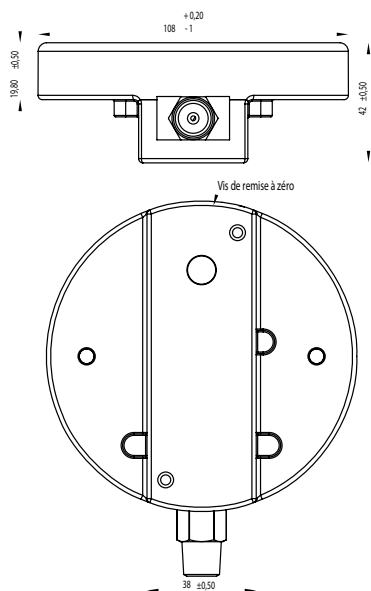
## Dials

### Industry

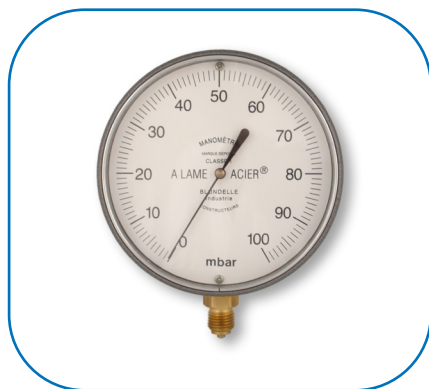
### Laboratory

-760 mmHg + 0	9158	-760 mmHg + 1000 mbar	
-250 + 0 mbar	1175	-760 mmHg + 2000 mbar	
-500 mbar + 0	8526	-160 + 160 mbar	
-500 + 500 mbar	4024	-500 + 500 mbar	4024
-1000 mbar + 0	8357	-1000 mbar + 0	8357
-1000 + 1000 mbar	8332	-1000 + 1000 mbar	8332
-1000 + 2000 mbar	8333	-1000 + 2000 mbar	8333
-76 cmHg + 5 bar	8356	-1 + 3 bar	2554
-0,1 + 1,5 MPa	8220	-1 + 4 bar	8562
0 + 2,5 MPa	7986	-1 + 6 bar	2557
0 + 5 MPa	8221	-1 + 10 bar	9097
-1 + 0,3 bar	9135	-1 + 16 bar	8713
-1 + 3 bar	2554	-1 + 25 bar	8302
-1 + 4 bar	8562	0 + 250 mbar	8281
-1 + 5 bar	8303	0 + 500 mbar	8329
-1 + 6 bar	2557	0 + 1000 mbar	8270
-1 + 10 bar	9097	0 + 1500 mbar	9022
-1 + 16 bar	8713	0 + 2000 mbar	8451
-1 + 20 bar	7371	0 + 3000 mbar	9031
-1 + 25 bar	8302	0 + 4 bar	8331
-1 + 30 bar	1195	0 + 6 bar	8294
-1 + 40 bar	8546	0 + 10 bar	8266
-1 + 200 bar	4015	0 + 16 bar	8251
0 + 770 mmHg	2566	0 + 25 bar	8271
0 + 60 mbar	8214	0 + 60 bar	8260
0 + 100 mbar	3097	0 + 100 bar	8290
0 + 250 mbar	8281		
0 + 500 mbar	8329		
0 + 600 mbar	8215		
0 + 1000 mbar	8270		
0 + 1500 mbar	9022		
0 + 2000 mbar	8451		
0 + 3000 mbar	9031		
0 + 0,3 bar	1376		
0 + 2,5 bar	4023		
0 + 4 bar	8331		
0 + 5 bar	8324		
0 + 6 bar	8294		
0 + 8 bar	8295		
0 + 10 bar	8266		
0 + 12 bar	8296		
0 + 15 bar	8297		
0 + 16 bar	8251		
0 + 20 bar	8301		
0 + 25 bar	8271		
0 + 30 bar	8424		
0 + 40 bar	8447		
0 + 50 bar	8328		
0 + 60 bar	8260		
0 + 80 bar	9273		
0 + 100 bar	8290		
0 + 160 bar	8300		
0 + 180 bar	4016		
0 + 200 bar	8323		
0 + 250 bar	8291		
0 + 300 psi	6390		

## Vertical Connection



## Ø 100 Gauge, Aluminium, Low Pressure, Dry



### Construction features

- Connection: vertical or rear, brass
- Light alloy case, hammered gray epoxy coating
- Glass Polymetacrylate
- Glass fixation: by cadmium steel ring
- Manometric element:
  - material: beryllium bronze
  - assembly: tin solder
- Zeroing screw accessible from the outside
- Brass amplifier mechanism

### Threads

- M10x100 - M15x150 - M20x150
- 1/4 GAS co.
- 1/8 GAS cyl. 1/4 GAS cyl. - 3/8 GAS cyl. - 1/2 GAS cyl.
- 1/8 BRIGGS co. - 1/4 BRIGGS co. - 1/2 BRIGGS co.
- 1/4 SAE
- Other threads: contact us

### Fixings

- By removable front collar (through mounting)

### Accessories

- Nut, socket & seal
- Plastic storage case, with protective foam

### Services

- Calibration or re-calibration with 6 point certificate, Retractable to a COFRAC or BELAC attached national standard.
- Repair Services

### Technical specifications

- Accuracy:  $\pm 1\%$  end of scale: Class 1
- Operating temperature: - 40 + 70 ° C
- Accidental pressure: 150%
- Range of the scale: 300 °
- Available dials: from -200 mbar to + 200 mbar
- Other dials on demand

### Options

- Vacuum drying of the manometric element
- Overload vent
- Glass watertight and dustproof
- Index needle
- Serialnumber printed on the dial
- Custom dial at the customer's request

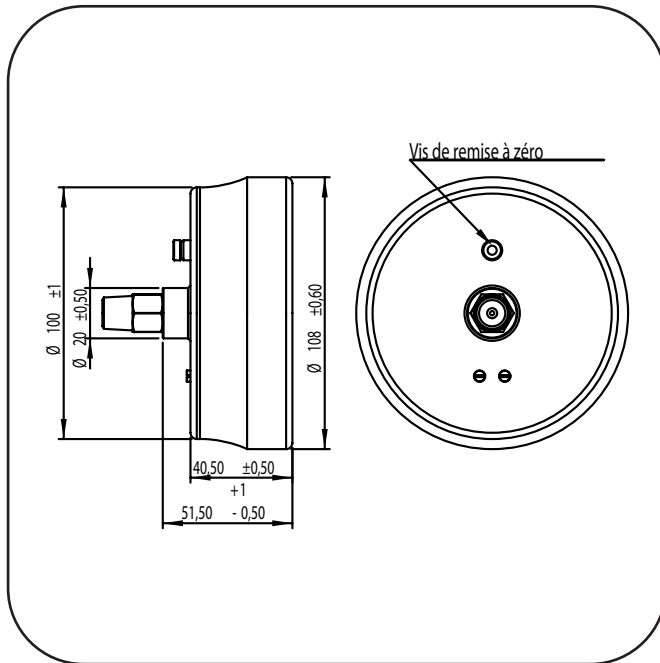
# Ø 100 Gauge, Aluminium, Low Pressure, Dry

## Rear Connection

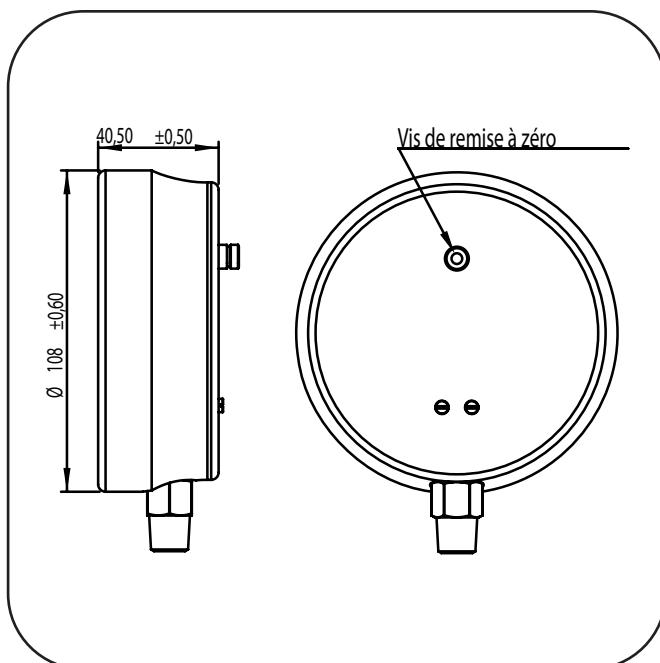
## Dials

Industry

Laboratory



## Vertical Connection



## Ø 100 Gauge, Aluminium, Oil-filled/Tight



### Construction features

- Connection: vertical side or rear central brass
- Light alloy case, hammered gray epoxy coating
- Glass Polymetacrylate
- Glass fixation: by collar
- Manometric element:
  - material: tombac
  - assembly: tin solder
- Zeroing screw accessible from the outside
- Brass amplifier mechanism
- Housing filled with silicone oil for the Oil-filled version
- Overload vent

### Threads

- M10x100 - M15x150 - M20x150
- 1/4 GAS co.
- 1/8 GAS cyl. 1/4 GAS cyl. - 3/8 GAS cyl. - 1/2 GAS cyl.
- 1/8 BRIGGS co. - 1/4 BRIGGS co. - 1/2 BRIGGS co.
- 1/4 SAE
- Other threads: contact us

### Fixations

- By mounting bracket (surface mounting)
- By fastening clamp (through mounting)

### Accessories

- Nut, socket & seal
- Plastic storage case, with protective foam

### Services

- Calibration or re-calibration with 6 point certificate, Retractable to a COFRAC or BELAC attached national standard.
- Repair Services

### Technical specifications

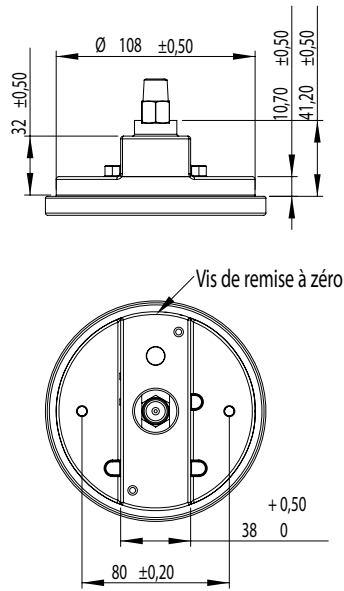
- Accuracy:
  - **Industry:**  $\pm 1\%$  end of scale: Class 1
  - **Laboratory:**  $\pm 1\%$  of reading (Tight version only)
- Operating temperature:  $- 40 + 70$  ° C
- Accidental pressure:
  - 200% for scales below 50 bar
  - 150% for scales between 50 and 100 bar
  - 125% for scales over 100 bar
- Range of the scale: 300 °
- List of available dials: see attached table

### Options

- Silver brazing assembly (for temperatures above 70°C)
- Stainless version (max. Scale 100 bar)  
Manometric element and all parts in contact with the fluid in stainless steel 316L
- Absolute Calibration
- Oxygen version
- Vacuum drying of the manometric element
- Filling of the manometer element with buffer fluid: glycerine (Industry type only)
- Zeroing screw equipped with knurled knob
- Maximum indicator system with follower needle (Tight Industry version only)
- Index needle (Tight version only)
- Overload stop
- Serialnumber printed on the dial
- Custom dial at the customer's request

# Ø 100 Gauge, Aluminium, Oil-filled/Tight

## Rear Connection



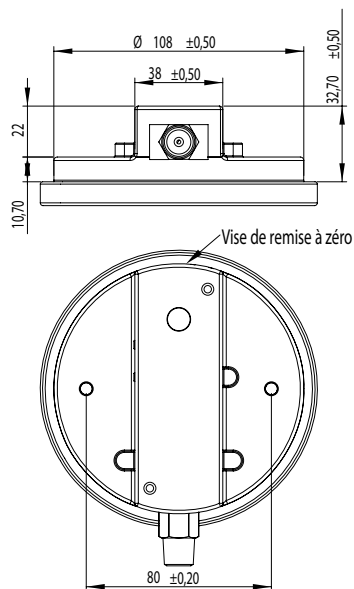
## Dials

### Industry

### Laboratory

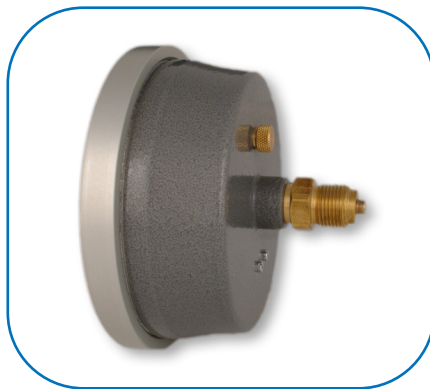
-760 mmHg + 0	9158	-760 mmHg + 1000 mbar	
-250 + 0 mbar	1175	-760 mmHg + 2000 mbar	
-500 mbar + 0	8526	-160 + 160 mbar	
-500 + 500 mbar	4024	-500 + 500 mbar	4024
-1000 mbar + 0	8357	-1000 mbar + 0	8357
-1000 + 1000 mbar	8332	-1000 + 1000 mbar	8332
-1000 + 2000 mbar	8333	-1000 + 2000 mbar	8333
-76 cmHg + 5 bar	8356	-1 + 3 bar	2554
-0,1 + 1,5 MPa	8220	-1 + 4 bar	8562
0 + 2,5 MPa	7986	-1 + 6 bar	2557
0 + 5 MPa	8221	-1 + 10 bar	9097
-1 + 0,3 bar	9135	-1 + 16 bar	8713
-1 + 3 bar	2554	-1 + 25 bar	8302
-1 + 4 bar	8562	0 + 250 mbar	8281
-1 + 5 bar	8303	0 + 500 mbar	8329
-1 + 6 bar	2557	0 + 1000 mbar	8270
-1 + 10 bar	9097	0 + 1500 mbar	9022
-1 + 16 bar	8713	0 + 2000 mbar	8451
-1 + 20 bar	7371	0 + 3000 mbar	9031
-1 + 25 bar	8302	0 + 4 bar	8331
-1 + 30 bar	1195	0 + 6 bar	8294
-1 + 40 bar	8546	0 + 10 bar	8266
-1 + 200 bar	4015	0 + 16 bar	8251
0 + 770 mmHg	2566	0 + 25 bar	8271
0 + 60 mbar	8214	0 + 60 bar	8260
0 + 100 mbar	3097	0 + 100 bar	8290
0 + 250 mbar	8281		
0 + 500 mbar	8329		
0 + 600 mbar	8215		
0 + 1000 mbar	8270		
0 + 1500 mbar	9022		
0 + 2000 mbar	8451		
0 + 3000 mbar	9031		
0 + 0,3 bar	1376		
0 + 2,5 bar	4023		
0 + 4 bar	8331		
0 + 5 bar	8324		
0 + 6 bar	8294		
0 + 8 bar	8295		
0 + 10 bar	8266		
0 + 12 bar	8296		
0 + 15 bar	8297		
0 + 16 bar	8251		
0 + 20 bar	8301		
0 + 25 bar	8271		
0 + 30 bar	8424		
0 + 40 bar	8447		
0 + 50 bar	8328		
0 + 60 bar	8260		
0 + 80 bar	9273		
0 + 100 bar	8290		
0 + 160 bar	8300		
0 + 180 bar	4016		
0 + 200 bar	8323		
0 + 250 psi	8291		
0 + 300 psi	6390		

## Vertical Connection





## Ø 100 Gauge, Aluminium, Low Pressure, Tight



### Construction features

- Connection: vertical or rear, brass
- Light alloy case, hammered gray epoxy coating
- Glass Polymetacrylate
- Glass fixation: by collar
- Manometric element:
  - material: beryllium bronze
  - assembly: tin solder
- Zeroing screw accessible from the outside
- Brass amplifier mechanism

### Threads

- M10x100 - M15x150 - M20x150
- 1/4 GAS co.
- 1/8 GAS cyl. 1/4 GAS cyl. - 3/8 GAS cyl. - 1/2 GAS cyl.
- 1/8 BRIGGS co. - 1/4 BRIGGS co. - 1/2 BRIGGS co.
- 1/4 SAE
- Other threads: contact us

### Fixings

- By fastening clamp (through mounting)

### Accessories

- Nut, socket & seal
- Plastic storage case, with protective foam

### Services

- Calibration or re-calibration with 6 point certificate, Retractable to a COFRAC or BELAC attached national standard.
- Repair Services

### Technical specifications

- Accuracy:  $\pm 1\%$  end of scale: Class 1
- Operating temperature:  $-40 + 70$  ° C
- Accidental pressure: 150%
- Range of the scale: 300 °
- Available dials: from -200 mbar to + 200 mbar
- Other dials on demand

### Options

- Vacuum drying of the manometric element
- Overload vent
- Index needle
- Serialnumber printed on the dial
- Custom dial at the customer's request

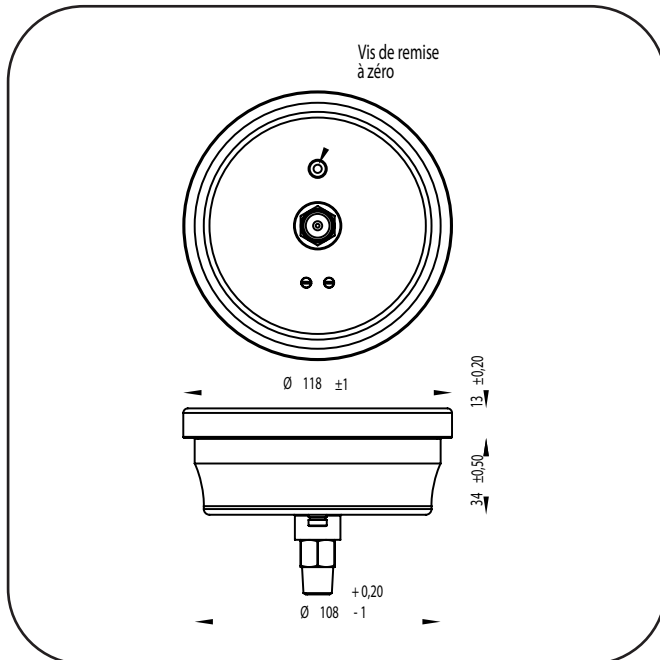
# Ø 100 Gauge, Aluminium, Low Pressure, Tight

## Rear Connection

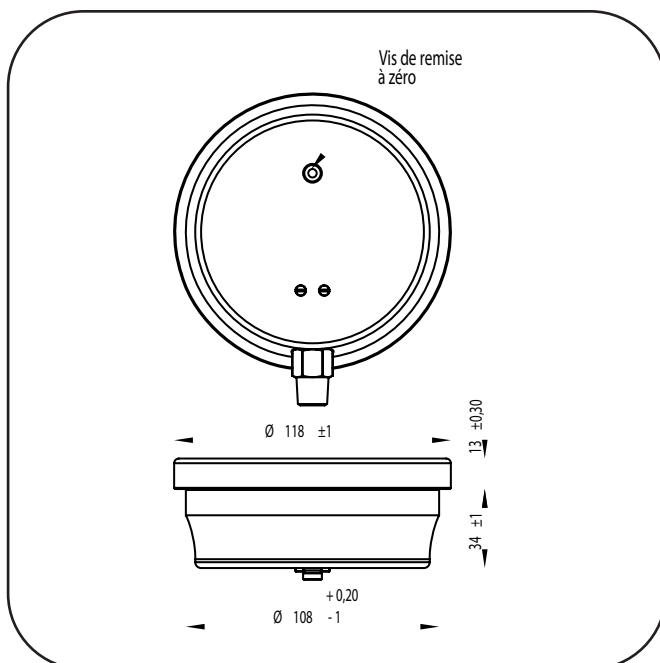
## Dials

Industry

Laboratory



## Vertical Connection



## Ø 100 Gauge, Composite, Dry/Oil-filled/Tight



### Construction features

- Connection: vertical side or rear central brass
- Housing in reinforced composite material, blue, red or yellow
- Glass Polymetacrylate
- Glass fixation: by collar
- Manometric element:
  - material: tombac
  - assembly: tin solder
- Zeroing screw accessible from the outside
- Brass amplifier mechanism
- Housing filled with silicone oil for the Oil-filled version
- Overload vent

### Threads

- M10x100 - M15x150 - M20x150
- 1/4 GAS co.
- 1/8 GAS cyl. 1/4 GAS cyl. - 3/8 GAS cyl. - 1/2 GAS cyl.
- 1/8 BRIGGS co. - 1/4 BRIGGS co. - 1/2 BRIGGS co.
- 1/4 SAE
- Other threads: contact us

### Fixations

- By mounting bracket (surface mounting)
- By fastening clamp (through mounting)

### Accessories

- Nut, socket & seal
- Plastic storage case, with protective foam

### Services

- Calibration or re-calibration with 6 point certificate, Retractable to a COFRAC or BELAC attached national standard.
- Repair Services

### Technical specifications

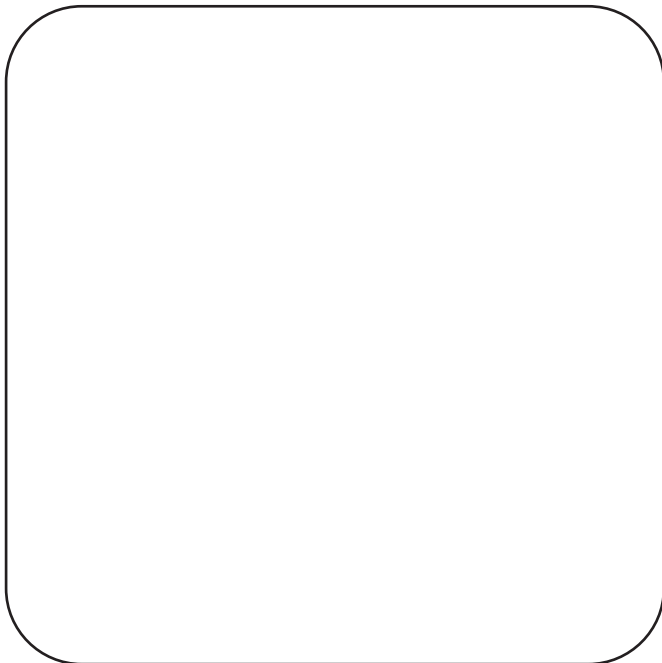
- Accuracy:
  - **Industry:**  $\pm 1\%$  end of scale: Class 1
  - **Laboratory:**  $\pm 1\%$  of reading (Tight version only)
- Operating temperature:  $-40 + 70$  °C
- Accidental pressure:
  - 200% for scales below 50 bar
  - 150% for scales between 50 and 100 bar
  - 125% for scales over 100 bar
- Range of the scale: 300 °
- List of available dials: see attached table

### Options

- Silver brazing assembly (for temperatures above 70°C)
- Stainless version (max. Scale 100 bar)  
Manometric element and all parts in contact with the fluid in stainless steel 316L
- Absolute Calibration
- Oxygen version
- Vacuum drying of the manometric element
- Filling of the manometer element with buffer fluid: glycerine (Industry type only)
- Zeroing screw equipped with knurled knob
- Maximum indicator system with follower needle (Dry & Tight Industry version only)
- Index needle (Dry & Tight version only)
- Overload stop
- Serialnumber printed on the dial
- Custom dial at the customer's request

# Ø 100 Gauge, Composite, Dry/Oil-filled/Tight

## Rear Connection



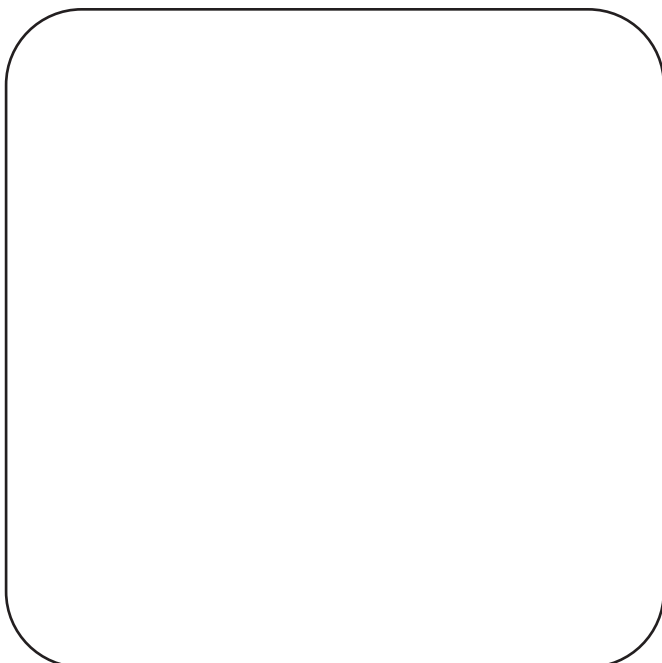
## Dials

### Industry

### Laboratory

-760 mmHg + 0	9158	-760 mmHg + 1000 mbar	
-250 + 0 mbar	1175	-760 mmHg + 2000 mbar	
-500 mbar + 0	8526	-160 + 160 mbar	
-500 + 500 mbar	4024	-500 + 500 mbar	4024
-1000 mbar + 0	8357	-1000 mbar + 0	8357
-1000 + 1000 mbar	8332	-1000 + 1000 mbar	8332
-1000 + 2000 mbar	8333	-1000 + 2000 mbar	8333
-76 cmHg + 5 bar	8356	-1 + 3 bar	2554
-0,1 + 1,5 MPa	8220	-1 + 4 bar	8562
0 + 2,5 MPa	7986	-1 + 6 bar	2557
0 + 5 MPa	8221	-1 + 10 bar	9097
-1 + 0,3 bar	9135	-1 + 16 bar	8713
-1 + 3 bar	2554	-1 + 25 bar	8302
-1 + 4 bar	8562	0 + 250 mbar	8281
-1 + 5 bar	8303	0 + 500 mbar	8329
-1 + 6 bar	2557	0 + 1000 mbar	8270
-1 + 10 bar	9097	0 + 1500 mbar	9022
-1 + 16 bar	8713	0 + 2000 mbar	8451
-1 + 20 bar	7371	0 + 3000 mbar	9031
-1 + 25 bar	8302	0 + 4 bar	8331
-1 + 30 bar	1195	0 + 6 bar	8294
-1 + 40 bar	8546	0 + 10 bar	8266
-1 + 200 bar	4015	0 + 16 bar	8251
0 + 770 mmHg	2566	0 + 25 bar	8271
0 + 60 mbar	8214	0 + 60 bar	8260
0 + 100 mbar	3097	0 + 100 bar	8290
0 + 250 mbar	8281		
0 + 500 mbar	8329		
0 + 600 mbar	8215		
0 + 1000 mbar	8270		
0 + 1500 mbar	9022		
0 + 2000 mbar	8451		
0 + 3000 mbar	9031		
0 + 0,3 bar	1376		
0 + 2,5 bar	4023		
0 + 4 bar	8331		
0 + 5 bar	8324		
0 + 6 bar	8294		
0 + 8 bar	8295		
0 + 10 bar	8266		
0 + 12 bar	8296		
0 + 15 bar	8297		
0 + 16 bar	8251		
0 + 20 bar	8301		
0 + 25 bar	8271		
0 + 30 bar	8424		
0 + 40 bar	8447		
0 + 50 bar	8328		
0 + 60 bar	8260		
0 + 80 bar	9273		
0 + 100 bar	8290		
0 + 160 bar	8300		
0 + 180 bar	4016		
0 + 200 bar	8323		
0 + 250 bar	8291		
0 + 300 psi	6390		

## Vertical Connection



## Ø 150 Gauge, Aluminium, Dry



### Construction features

- Connection: vertical or rear, brass
- Light alloy case, hammered gray epoxy coating
- Glass in Polymetacrylate
- Glass fixation: by cadmium steel ring
- Manometric element:
  - material: tombac
  - assembly: tin solder
- Zeroing screw accessible from the outside
- Brass amplifier mechanism

### Threads

- M10x100 - M15x150 - M20x150
- 1/4 GAS co.
- 1/8 GAS cyl. 1/4 GAS cyl. - 3/8 GAS cyl. - 1/2 GAS cyl.
- 1/8 BRIGGS co. - 1/4 BRIGGS co. - 1/2 BRIGGS co.
- 1/4 SAE
- Other threads: contact us

### Fixings

- By removable front collar (through mounting)
- By mounting bracket (surface mounting)

### Accessories

- Nut, socket & seal
- Anti-choc protection, with or without hook
- Plastic storage case, with protective foam

### Services

- Calibration or re-calibration with 6 point certificate, Retractable to a COFRAC or BELAC attached national standard.
- Repair Services

### Technical specifications

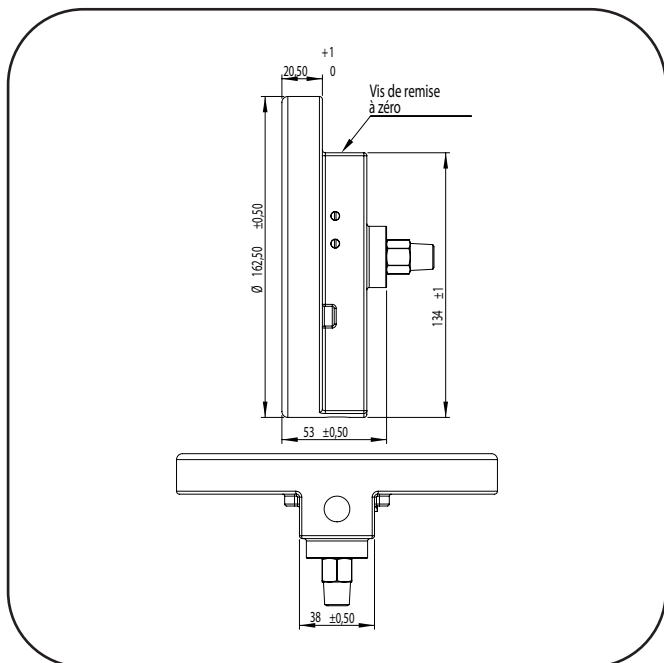
- Accuracy :
  - **Industry:**  $\pm 1\%$  end of scale: Class 1
  - **Laboratory** (maximum scale 100 bar) :  $\pm 1\%$  of reading
  - **Verification** (maximum scale 50 bar) :  $\pm 0.5\%$  of reading
- Operating temperature:  $-40 + 70$  ° C
- Accidental pressure:
  - 200% for scales below 50 bar
  - 150% for scales between 50 and 100 bar
  - 125% for scales over 100 bar
- Range of the scale: 300 °
- List of available dials: see attached table

### Options

- Silver brazing assembly (for temperatures above 70°C)
- Stainless version (max. Scale 100 bar)  
Manometric element and all parts in contact with the fluid in stainless steel 316L
- Absolute Calibration
- Oxygen version
- Vacuum drying of the manometric element
- Filling of the pressure element with buffer fluid: glycerin (Industry type only)
- Overload vent
- Zeroing screw equipped with knurled knob
- Glass watertight and dustproof
- Indicator system of maximum by follower needle (Industry type only)
- Real Glass
- Index needle
- Overload stop
- Serialnumber printed on the dial
- Custom dial at the customer's request

# Ø 150 Gauge, Aluminium, Dry

## Rear Connection



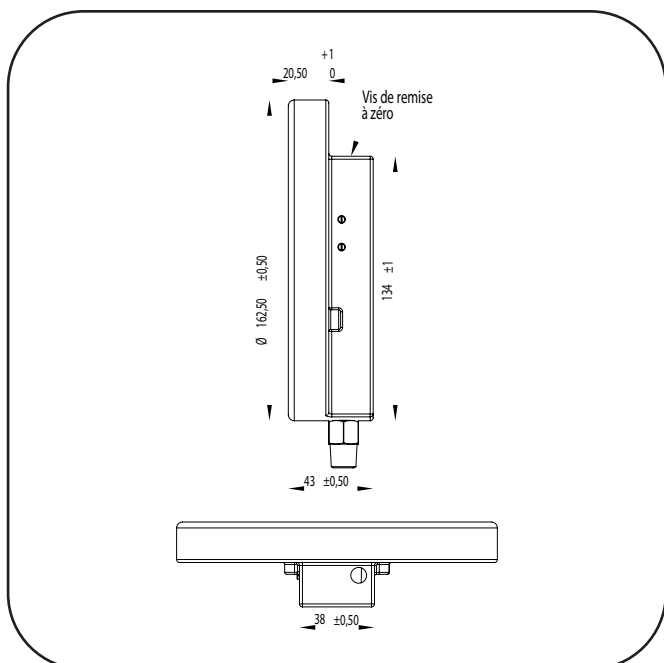
## Dials

### Industry

### Laboratory

-760 mmHg +0		-770 mmHg + 0	
-760 mmHG + 500mbar		-760 mmHg + 1000 mbar	
-760 mmHG + 1000 mbar		-760 mmHg + 2000 mbar	
0 + 760 mmHg		-250 mbar +0	
-1000 mbar +0	9252	-500 mbar + 0	
-1000 + 1000 mbar	8334	-1000 mbar +0	9252
-1000 + 2000 mbar	8335	-500 + 500 mbar	
-1 + 3 bar	1555	-1000 + 1000 mbar	8334
-1 + 5 bar	1557	-1000 + 2000 mbar	8335
-1 + 6 bar	1558	-1 + 3 bar	1555
-1 + 10 bar	1560	-1 + 6 bar	1558
-1 + 16 bar	8339	-1 + 10 bar	1560
0 + 250 mbar	1792	-1 + 16 bar	8339
0 + 500 mbar	1280	0 + 760 mmHg	
0 + 500 mbar & psi	6968	0 + 250 mbar	6589
0 + 1000 mbar	1589	0 + 500 mbar	1280
0 + 1500 mbar	1430	0 + 500 mbar & psi	6968
0 + 2000 mbar	1441	0 + 500 mbar SNCF	5929
0 + 2000 mbar & psi	6949	0 + 1000 mbar	1589
0 + 3000 mbar	1588	0 + 1500 mbar	1430
0 + 3000 mbar & psi	6969	0 + 2000 mbar	1441
0 + 2 bar & psi	8050	0 + 3000 mbar	5865
0 + 4 bar	1481	0 + 3000 mbar SNCF	9243
0 + 5 bar	1482	0 + 4 bar	1481
0 + 6 bar	8338	0 + 6 bar	8338
0 + 10 bar	8354	0 + 10 bar	8354
0 + 12 bar	1486	0 + 10 bar SNCF	5923
0 + 16 bar	8085	0 + 16 bar	8085
0 + 16 bar & psi	9186	0 + 16 bar SNCF	5922
0 + 20 bar	1488	0 + 25 bar	5924
0 + 25 bar	8337	0 + 40 bar	1491
0 + 30 bar	1490	0 + 60 bar	1493
0 + 40 bar	1491	0 + 100 bar	1495
0 + 50 bar	1492		
0 + 60 bar	1493		
0 + 80 bar			
0 + 100 bar	1495		
0 + 160 bar	1497		
0 + 200 bar	1498		
0 + 250 bar	6409		
0 + 250 psi			

## Vertical Connection



## Ø 150 Gauge, Aluminium, Oil-filled/Tight



### Construction features

- Connection: vertical or rear, brass
- Light alloy case, hammered gray epoxy coating
- Glass Polymetacrylate
- Glass fastening by collar
- Manometric element:
  - material: tombac
  - assembly: tin solder
- Zeroing screw accessible from the outside
- Brass amplifier mechanism
- Housing filled with silicone oil for the «Oil-filled» version

### Threads

- M10x100 - M15x150 - M20x150
- 1/4 GAS co.
- 1/8 GAS cyl. 1/4 GAS cyl. - 3/8 GAS cyl. - 1/2 GAS cyl.
- 1/8 BRIGGS co. - 1/4 BRIGGS co. - 1/2 BRIGGS co.
- 1/4 SAE
- Other threads: contact us

### Fixings

- By mounting bracket (surface mounting)
- By fastening clamp (through mounting)

### Accessories

- Nut, socket & seal
- Plastic storage case, with protective foam

### Services

- Calibration or re-calibration with 6 point certificate, Retractable to a COFRAC or BELAC attached national standard.
- Repair Services

### Technical specifications

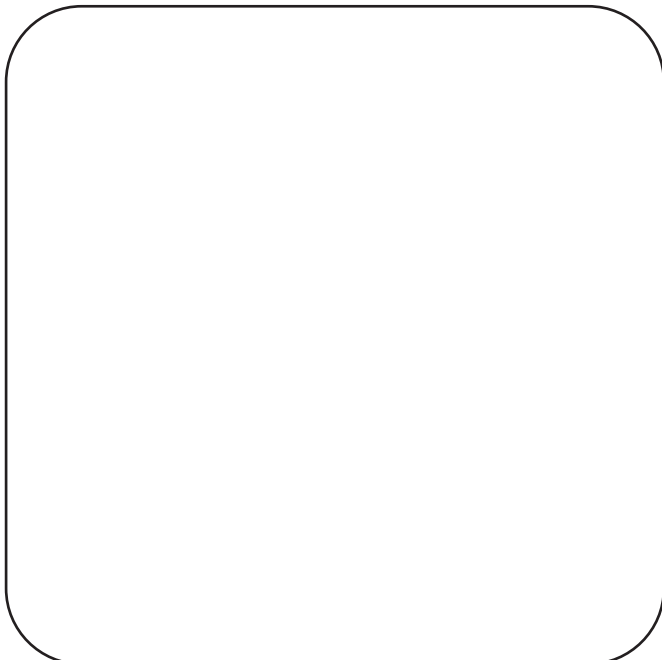
- Accuracy :
  - **Industry:**  $\pm 1\%$  end of scale: Class 1
  - **Laboratory** (maximum scale 100 bar) :  $\pm 1\%$  of reading (Tight version only)
  - **Verification** (maximum scale 50 bar) :  $\pm 0.5\%$  of reading (Tight version only)
- Operating temperature:  $-40 + 70$  ° C
- Accidental pressure:
  - 200% for scales below 50 bar
  - 150% for scales between 50 and 100 bar
  - 125% for scales over 100 bar
- Range of the scale: 300 °
- List of available dials: see attached table

### Options

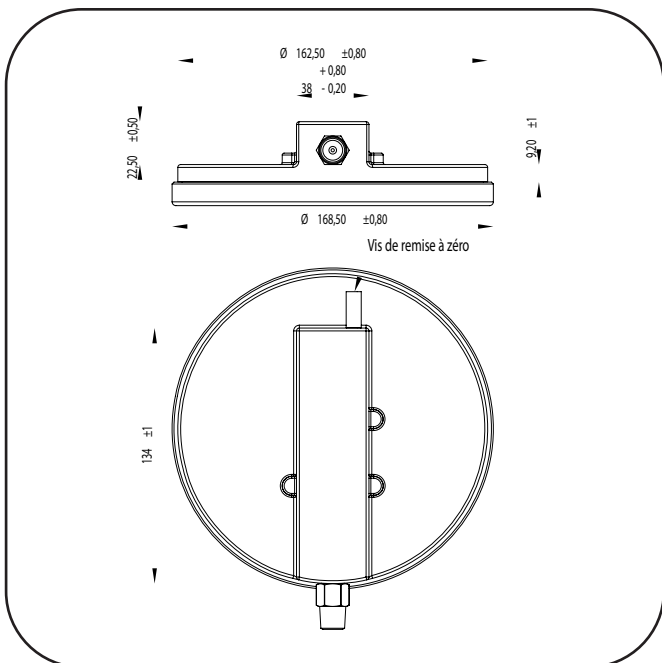
- Silver brazing assembly (for temperatures above 70°C)
- Stainless version (max. Scale 100 bar)  
Manometric element and all parts in contact with the fluid in stainless steel 316L
- Absolute Calibration
- Oxygen version (Tight version only)
- Vacuum drying of the manometric element
- Filling of the pressure element with buffer fluid: glycerin (Industry type only)
- Overload vent
- Zeroing screw equipped with knurled knob (Tight version only)
- Maximum indicator system by follower needle (Tight Industry version only)
- Index needle (Tight version only)
- Overload stop
- Serialnumber printed on the dial
- Custom dial at the customer's request

# Ø 150 Gauge, Aluminium, Oil-filled/Tight

## Rear Connection



## Vertical Connection



## Dials

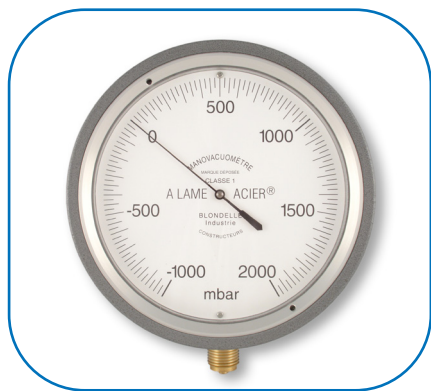
### Industry

### Laboratory

-760 mmHg +0		-770 mmHg + 0	
-760 mmHG + 500mbar		-760 mmHg + 1000 mbar	
-760 mmHG + 1000 mbar		-760 mmHg + 2000 mbar	
0 + 760 mmHg		-250 mbar +0	
-1000 mbar +0	9252	-500 mbar + 0	
-1000 + 1000 mbar	8334	-1000 mbar +0	9252
-1000 + 2000 mbar	8335	-500 + 500 mbar	
-1 + 3 bar	1555	-1000 + 1000 mbar	8334
-1 + 5 bar	1557	-1000 + 2000 mbar	8335
-1 + 6 bar	1558	-1 + 3 bar	1555
-1 + 10 bar	1560	-1 + 6 bar	1558
-1 + 16 bar	8339	-1 + 10 bar	1560
0 + 250 mbar	1792	-1 + 16 bar	8339
0 + 500 mbar	1280	0 + 760 mmHg	
0 + 500 mbar & psi	6968	0 + 250 mbar	6589
0 + 1000 mbar	1589	0 + 500 mbar	1280
0 + 1500 mbar	1430	0 + 500 mbar & psi	6968
0 + 2000 mbar	1441	0 + 500 mbar SNCF	5929
0 + 2000 mbar & psi	6949	0 + 1000 mbar	1589
0 + 3000 mbar	1588	0 + 1500 mbar	1430
0 + 3000 mbar & psi	6969	0 + 2000 mbar	1441
0 + 2 bar & psi	8050	0 + 3000 mbar	5865
0 + 4 bar	1481	0 + 3000 mbar SNCF	9243
0 + 5 bar	1482	0 + 4 bar	1481
0 + 6 bar	8338	0 + 6 bar	8338
0 + 10 bar	8354	0 + 10 bar	8354
0 + 12 bar	1486	0 + 10 bar SNCF	5923
0 + 16 bar	8085	0 + 16 bar	8085
0 + 16 bar & psi	9186	0 + 16 bar SNCF	5922
0 + 20 bar	1488	0 + 25 bar	5924
0 + 25 bar	8337	0 + 40 bar	1491
0 + 30 bar	1490	0 + 60 bar	1493
0 + 40 bar	1491	0 + 100 bar	1495
0 + 50 bar	1492		
0 + 60 bar	1493		
0 + 80 bar			
0 + 100 bar	1495		
0 + 160 bar	1497		
0 + 200 bar	1498		
0 + 250 bar	6409		
0 + 250 psi			



## Ø 180 Gauge, Aluminium, Tight



### Construction features

- Connection: vertical or rear, brass
- Light alloy case, hammered gray epoxy coating
- Glass Polymetacrylate
- Glass fixation: by collar
- Manometric element:
  - material: tombac
  - assembly: tin solder
- Zeroing screw accessible from the outside
- Brass amplifier mechanism
- Overload vent

### Threads

- M10x100 - M15x150 - M20x150
- 1/4 GAS co.
- 1/8 GAS cyl. 1/4 GAS cyl. - 3/8 GAS cyl. - 1/2 GAS cyl.
- 1/8 BRIGGS co. - 1/4 BRIGGS co. - 1/2 BRIGGS co.
- 1/4 SAE
- Other threads: contact us

### Fixings

- By mounting bracket (surface mounting)
- By fastening clamp (through mounting)

### Accessories

- Nut, socket & seal
- Plastic storage case, with protective foam

### Services

- Calibration or re-calibration with 6 point certificate, Retractable to a COFRAC or BELAC attached national standard.
- Repair Services

### Technical specifications

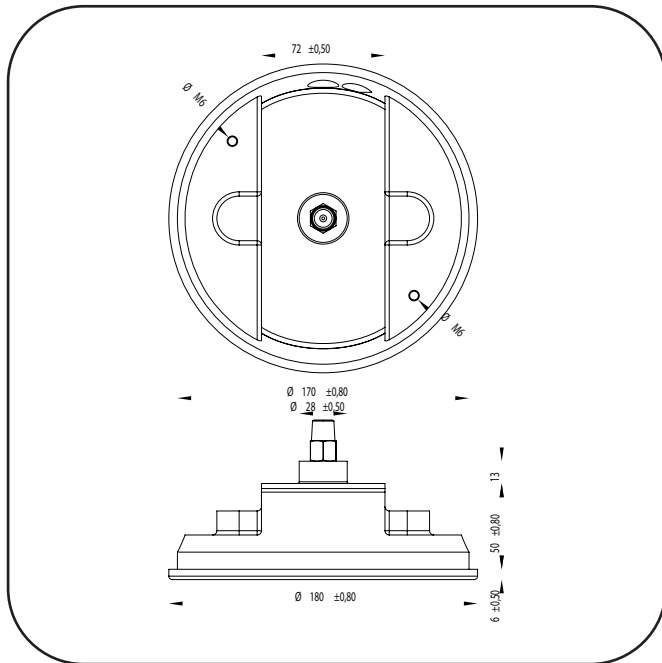
- Accuracy :
  - **Industry:**  $\pm 1\%$  end of scale: Class 1
  - **Laboratory** (maximum scale 100 bar) :  $\pm 1\%$  of reading
  - **Verification** (maximum scale 50 bar) :  $\pm 0.5\%$  of reading
- Operating temperature:  $-40 + 70$  ° C
- Accidental pressure:
  - 200% for scales below 50 bar
  - 150% for scales between 50 and 100 bar
  - 125% for scales over 100 bar
- Range of the scale: 300 °
- List of available dials: see attached table

### Options

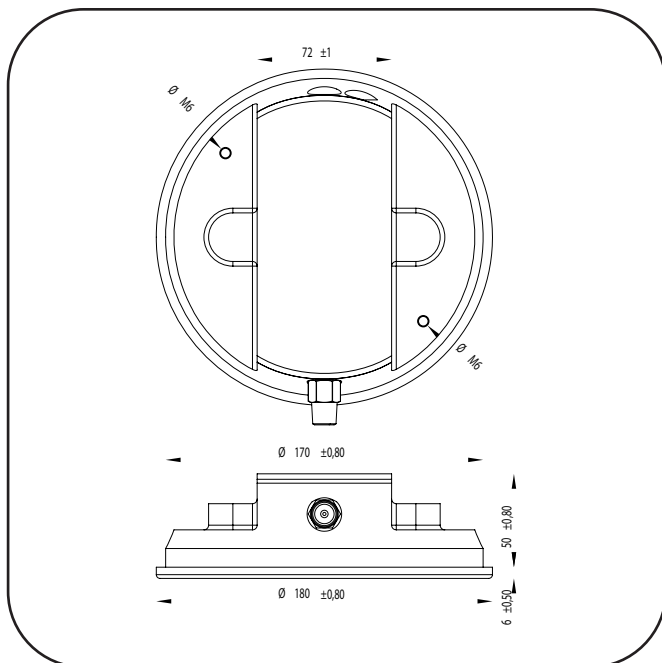
- Silver brazing assembly (for temperatures above 70°C)
- Stainless version (max. Scale 100 bar)  
Manometric element and all parts in contact with the fluid in stainless steel 316L
- Absolute Calibration
- Oxygen version
- Vacuum drying of the manometric element
- Filling of the pressure element with buffer fluid: glycerin (Industry type only)
- Overload event
- Zeroing screw equipped with knurled knob
- Maximum indicator system by follower needle (Industry type only)
- Index needle
- Overload stop
- Serialnumber printed on the dial
- Custom dial at the customer's request

# Ø 180 Gauge, Aluminium, Tight

## Rear Connection



## Vertical Connection



## Dials

### Industry

### Laboratory

-760 mmHg +0		-770 mmHg + 0	
-760 mmHG + 500mbar		-760 mmHg + 1000 mbar	
-760 mmHG + 1000 mbar		-760 mmHg + 2000 mbar	
0 + 760 mmHg		-100 mbar +0	8654
-100mbar +0	8654	-250 mbar +0	
-1000 mbar +0	9252	-500 mbar + 0	9252
-1000 + 1000 mbar	8334	-1000 mbar +0	
-1000 + 2000 mbar	8335	-500 + 500 mbar	8334
-1 + 3 bar	1555	-1000 + 1000 mbar	8335
-1 + 5 bar	1557	-1000 + 2000 mbar	1555
-1 + 6 bar	1558	-1 + 3 bar	1558
-1 + 10 bar	1560	-1 + 6 bar	1560
-1 + 16 bar	8339	-1 + 10 bar	8339
0 + 250 mbar	1792	-1 + 16 bar	
0 + 500 mbar	1280	0 + 760 mmHg	
0 + 500 mbar & psi	6968	0 + 250 mbar	6589
0 + 1000 mbar	1589	0 + 500 mbar	6968
0 + 1500 mbar	1430	0 + 500 mbar & psi	5929
0 + 2000 mbar	1441	0 + 500 mbar SNCF	1589
0 + 2000 mbar & psi	6949	0 + 1000 mbar	1430
0 + 3000 mbar	1588	0 + 1500 mbar	1441
0 + 3000 mbar & psi	6969	0 + 2000 mbar	5865
0 + 2 bar & psi	8050	0 + 3000 mbar	9243
0 + 4 bar	1481	0 + 3000 mbar SNCF	1481
0 + 5 bar	1482	0 + 4 bar	8338
0 + 6 bar	8338	0 + 6 bar	8354
0 + 10 bar	8354	0 + 10 bar	8085
0 + 12 bar	1486	0 + 16 bar	5922
0 + 16 bar	8085	0 + 16 bar SNCF	8337
0 + 16 bar & psi	9186	0 + 25 bar	1491
0 + 20 bar	1488	0 + 40 bar	1493
0 + 25 bar	8337	0 + 60 bar	1495
0 + 30 bar	1490	0 + 100 bar	
0 + 40 bar	1491		
0 + 50 bar	1492		
0 + 60 bar	1493		
0 + 80 bar			
0 + 100 bar	1495		
0 + 160 bar	1497		
0 + 200 bar	1498		
0 + 250 bar	6409		
0 + 250 psi			



## Construction features

- Hydraulic hose connection: vertical or rear
- Light alloy case, hammered gray epoxy coating
- Glass in Polymetacrylate
- Manometric element:
  - material: tombac
  - assembly: tin solder
- Zeroing screw accessible from the outside
- Brass amplifier mechanism
- Anodized aluminum or nickel-plated steel sensor.
- Hydraulic sensor connection: mini hydraulic hose Ø 6
- Filling fluid: silicone oil
- Diameter of the dial of gauge:
  - 60 mm
  - 100 mm
  - 150 mm
- The case of the gauge can be on request in the three dimensions mentioned either in version «Dry» or «Tight»
- Standard hydraulic hose length: 1m

## Accessories

- Plastic storage case, with protective foam

## Services

- Calibration or re-calibration with 6 point certificate, Retractable to a COFRAC or BELAC attached national standard.
- Repair Services

## Technical specifications

- Accuracy:  $\pm 1\%$  end of scale range (Class 1)
- Range of scale: 300°
- Accidental overload:
  - 125% for scales above 2500 daN
  - 150% for scales less than 2500 daN

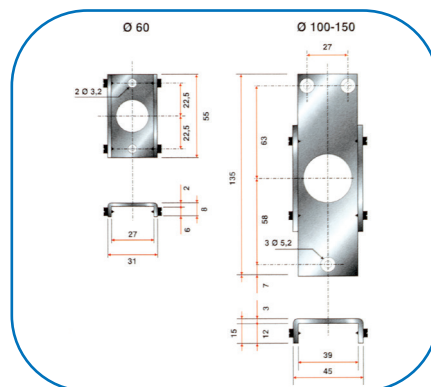
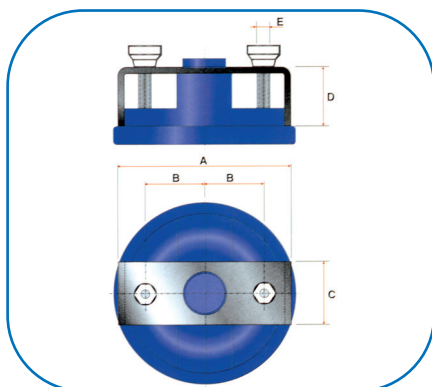
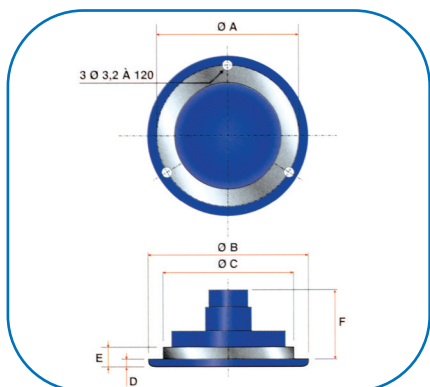
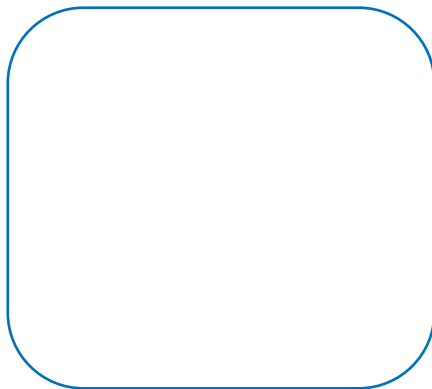
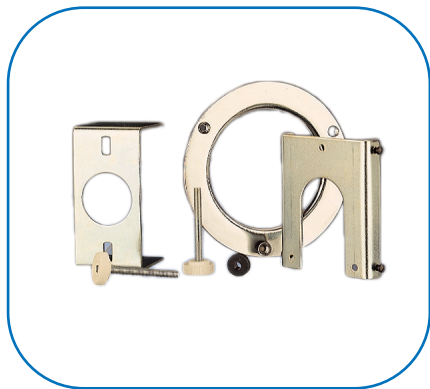
## Range of dials:

- **Compression:**
  - 100 to 250 daN      Sensor Ø 60
  - 500 to 1500 daN      Sensor Ø 75
  - 2000 to 5000 daN      Sensor Ø 89
  - 10000 daN      Sensor Ø 119
- **Traction:**
  - 100 to 250 daN      Sensor Ø 69
  - 500 to 1500 daN      Sensor Ø 89
  - 2000 to 5000 daN      Sensor Ø 119
  - 10000 daN      Sensor Ø 128

## Options

- Max indicator system by follower needle
- Index needle
- Hydraulic hose length on demand
- Direct socket (reader assembled directly on the sensor)
- Units of measurement in daN or kgF
- Serialnumber printed on the dial
- Custom dial at the customer's request

# Fastening Accessories «Aluminium»



Collar*	
Ø	Reference
60 mm	AC0302-185.30
100 mm	AC0302-190.30
150 mm	AC0302-200.30

\* only for dry versions

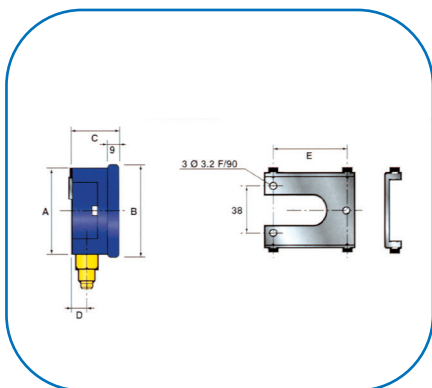
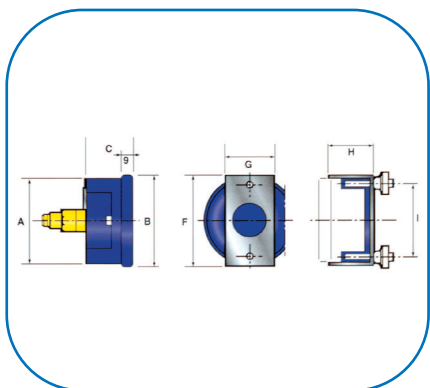
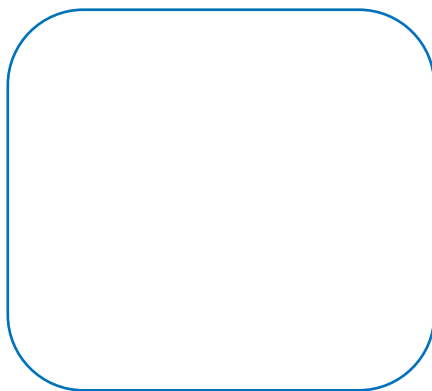
Fastening clamp	
Ø	Reference
60 mm	AC0305-5400
100 mm	AC0305-2112
150 mm	AC0305-2112
180 mm	AC0305-195

Fastening mount	
Ø	Reference
60 mm	AC0306-5269
100 mm	AC0306-192
150 mm	AC0306-192

Dimensions in mm			
Ø	60	100	150
A	80	122	180
B	88	130	189
C	72	114	171
D	4	4,5	4,5
E	10	10,5	10,5
F	42,5	54	52

Dimensions in mm			
Ø	60	100	150
A	72	114	178
B	24	40	60
C	33	40	40
D	28,5	37	48
E	M4	M6	M6

# Fastening Accessories «Composite»



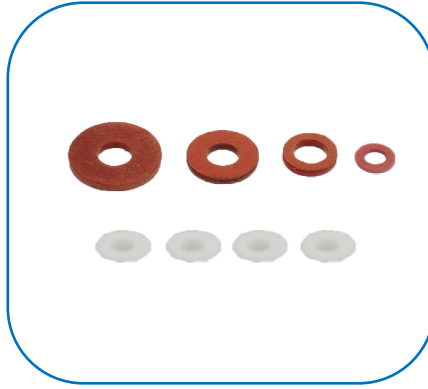
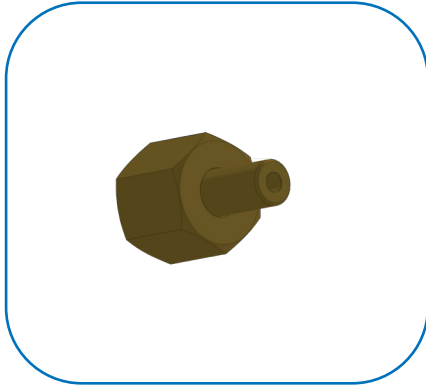
Fastening Clamp	
Ø	Reference
60 mm	AC0306-6369
80 mm	AC0306-6370
100 mm	AC0306-6371

Fastening mount	
Ø	Reference
60 mm	AC0305-5400
80 mm	AC0305-6134
100 mm	AC0305-2112

Dimensions in mm			
Ø	60	80	100
A	66	79	108
B	71	88	119
C	35	35	39
D	9	11	11
E	36	56	55
F	70	88	114
G	35	40	40
H	34	33	37
I	57	70	40

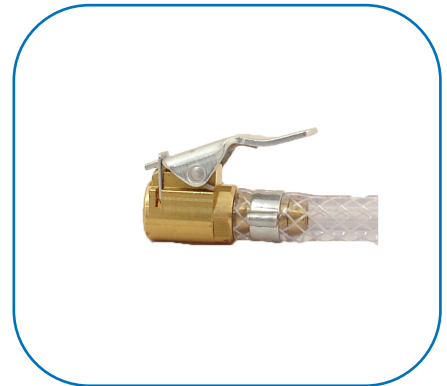
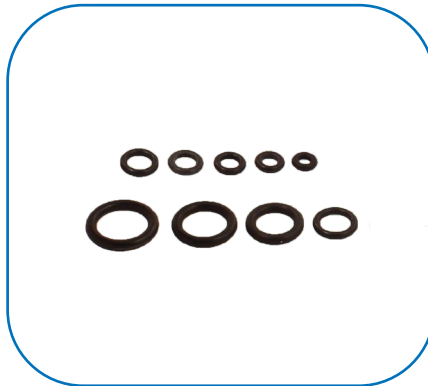
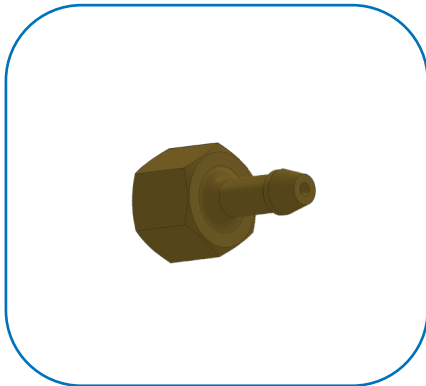
Dimensions in mm			
Ø	60	80	100
A	66	79	108
B	71	88	119
C	35	35	39
D	9	11	11
E	36	56	55
F	70	88	114
G	35	40	40
H	34	33	37
I	57	70	40

# Connection Accessories



Nut - Ending - Seal			
Fitting	Material	Seal	Reference
1/4"GAS	Brass	Fiber	AC0303-14G
3/8"GAS	Brass	Fiber	AC0303-38G
1/2"GAS	Brass	Fiber	AC0303-12G
M10x100	Brass	Fiber	AC0303-M10
1/4"GAS	St.Steel	PTFE	AC0304-14G
3/8"GAS	St.Steel	PTFE	AC0304-38G
1/2"GAS	St.Steel	PTFE	AC0304-12G
M10x100	St.Steel	PTFE	AC0304-M10

Connection Seal		
Fitting	Material	Reference
1/4"GAS	Fiber	AC0307-1163
3/8"GAS	Fiber	AC0307-
1/2"GAS	Fiber	AC0307-1161
M10x100	Fiber	AC0307-1160
1/4"GAS	PTFE	AC0307-6019
3/8"GAS	PTFE	AC0307-1325
1/2"GAS	PTFE	AC0307-1327
M10x100	PTFE	AC0307-1326



"Teat" connection			
Fitting	Material	Seal	Reference
M10x100	Brass	Fiber	AC0307-1170
M10x100	St.Steel	PTFE	AC0308-8589

O-ring "R"		
Type	Material	Reference
R01	Nitril	AC0307-1837
R02	Nitril	AC0307-1838
R03	Nitril	AC0307-383
R05	Ethyl. Prop.	AC0701-6005
R07	Ethyl. Prop.	AC0701-797
R08	Ethyl. Prop.	AC0701-6006
R12	Neoprene	AC0701-5606

Accessories		
Fitting	Material	Reference
1/2"GAS	Steel Valve	AC0301-6228
1/2"GAS	Brass Valve	AC0301-
1/2"GAS	St.Steel Valve	AC0301-
1/2"GAS	Steel SYPHON	AC0301-6914
"Teat"	Auto valve connection	AC0301-1839

# Protection Accessories



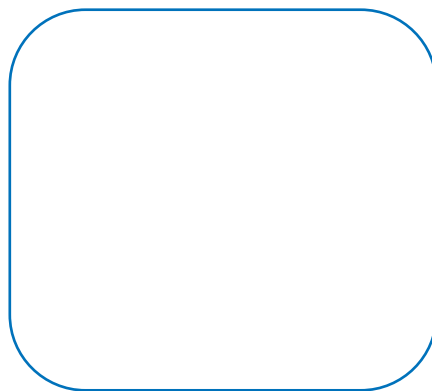
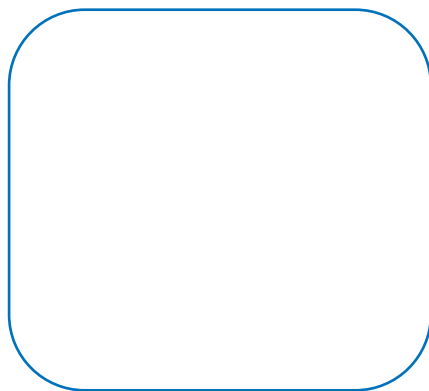
Anti-impact Protection - "Aluminium"		
Ø	Color	Reference
60 mm	Grey	AC0308-1259.01
	Red	AC0308-1259.02
	Blue	AC0308-1259.03
100 mm	Grey	AC0308-1260.01
	Red	AC0308-1260.02
	Blue	AC0308-1260.03
150 mm	Yellow	AC0308-6236.04

Anti-impact Protection - "Composite"		
Ø	Color	Reference
60 mm	Red	AC0308-6123.02
	Blue	AC0308-6123.03
	Yellow	AC0308-6123.04
80 mm	Grey	AC0308-6371.01
	Red	AC0308-6124.02
	Blue	AC0308-6124.03
	Yellow	AC0308-6124.04



Carrying case with protective foam		
Ø	Color	Reference
All	Black	AC0102-06
	Yellow (empty)	AC0309-810
	Yellow	AC0802-8087

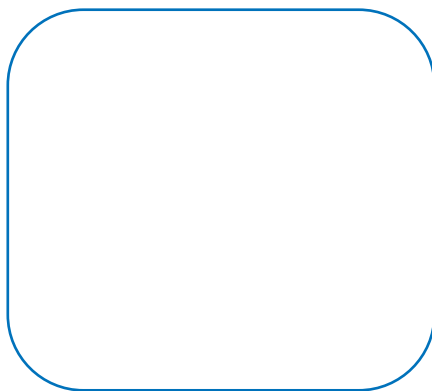
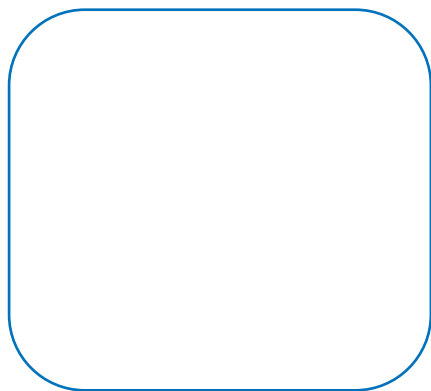
## References - gauge base code



Base code	Diameter	Material	Type	Precision Class	Version	Bellow	Option
MA0103	D60	Aluminium	Industry	Class 1	Dry		
MA0301	D60	Aluminium	Industry	Class 1	Tight		
MA0501	D60	Aluminium	Industry	Class 1	Oilfilled		
MA0104	D60	Composite	Industry	Class 1	Dry		
MA0302	D60	Composite	Industry	Class 1	Tight		
MA0502	D60	Composite	Industry	Class 1	Oilfilled		
MA0105	D80	Composite	Industry	Class 1	Dry		
MA0106	D80	Composite	Industry	Class 1	Dry	Stainless Steel	
MA0303	D80	Composite	Industry	Class 1	Tight		
MA0503	D80	Composite	Industry	Class 1	Oilfilled		
MA0107	D100	Aluminium	Industry	Class 1	Dry		
MA0203	D100	Aluminium	Industry	Class 1	Dry		Pulse-free Mechanism
MA0305	D100	Aluminium	Industry	Class 1	Tight		
MA0403	D100	Aluminium	Industry	Class 1	Tight		Pulse-free Mechanism
MA0505	D100	Aluminium	Industry	Class 1	Oilfilled		
MA0108	D100	Aluminium	Industry	Class 1	Dry	Stainless Steel	316L
MA0306	D100	Aluminium	Industry	Class 1	Tight	Stainless Steel	316L
MA0506	D100	Aluminium	Industry	Class 1	Oilfilled	Stainless Steel	316L
MA1101	D100	Aluminium	Laboratory	1% of Reading	Dry		
MA1102	D100	Aluminium	Laboratory	1% of Reading	Dry	Stainless Steel	316L
MA1201	D100	Aluminium	Laboratory	1% of Reading	Tight		
MA1202	D100	Aluminium	Laboratory	1% of Reading	Tight	Stainless Steel	316L
MA1405	D100	Aluminium	Verification	0,5% of Reading	Dry		
MA0109	D150	Aluminium	Industry	Class 1	Dry		
MA0205	D150	Aluminium	Industry	Class 1	Dry		Pulse-free Mechanism
MA0309	D150	Aluminium	Industry	Class 1	Tight		
MA0509	D150	Aluminium	Industry	Class 1	Oilfilled		
MA0110	D150	Aluminium	Industry	Class 1	Dry	Stainless Steel	
MA1103	D150	Aluminium	Laboratory	1% of Reading	Dry		
MA1104	D150	Aluminium	Laboratory	1% of Reading	Dry	Stainless Steel	
MA1203	D150	Aluminium	Laboratory	1% of Reading	Tight		
MA1204	D150	Aluminium	Laboratory	1% of Reading	Tight	Stainless Steel	

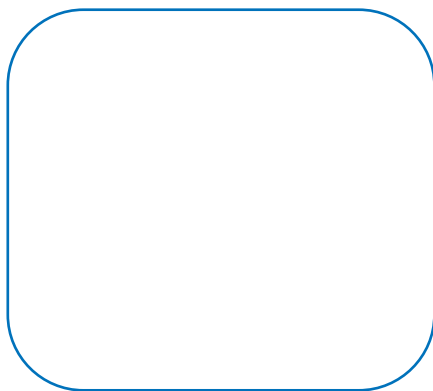
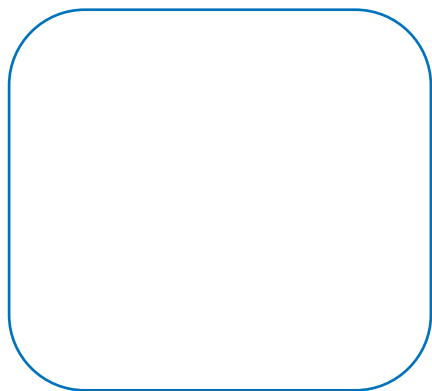


## References - gauge base code



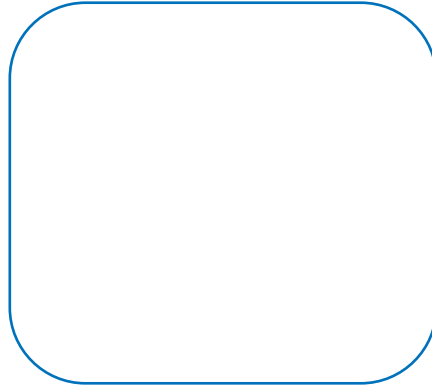
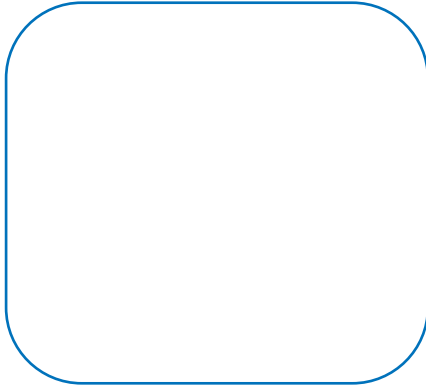
Base code	Diameter	Material	Type	Precision Class	Version	Bellow	Option
MA1301	D150	Aluminium	Verification	0,5% of Reading	Dry		«SNCF»
MA1303	D150	Aluminium	Verification	0,5% of Reading	Tight		
MA1304	D150	Aluminium	Verification	0,5% of Reading	Tight	Stainless Steel	
MA1305	D150	Aluminium	Verification	Class 0,5	Dry		
MA0307	D180	Aluminium	Industry	Class 1	Tight		
MA0308	D180	Aluminium	Industry	Class 1	Tight	Stainless Steel	
MA0507	D180	Aluminium	Industry	Class 1	Oilfilled		
MA0508	D180	Aluminium	Industry	Class 1	Oilfilled	Stainless Steel	
MA1401	D180	Aluminium	Verification	0,5% of Reading	Dry		
MA1402	D180	Aluminium	Verification	0,5% of Reading	Dry	Stainless Steel	
MA1501	D100	Aluminium	Industry	Class 1	Dry	Absolute	
MA1502	D180	Aluminium	Industry	Class 1	Dry	Abs. & Stainl.St.	
MA1601	D100	Aluminium	Differential	Class 2	Tight		Differential Pressure
MA1602	D100	Aluminium	Differential	Class 2	Tight	Stainless Steel	Differential Pressure
MA1603	D180	Aluminium	Differential	Class 2	Tight		Differential Pressure
MA1607	D180	Aluminium	Differential	Class 2	Tight	Stainless Steel	Differential Pressure
DY0101	D60	Aluminium	Dyn.Comp.	Class 1	Dry		Dynamometer Compression
DY0102	D100	Aluminium	Dyn.Comp.	Class 1	Dry		Dynamometer Compression
DY0202	D100	Aluminium	Dyn.Comp.	Class 1	Tight		Dynamometer Compression
DY0103	D150	Aluminium	Dyn.Comp.	Class 1	Dry		Dynamometer Compression
DY0104	D180	Aluminium	Dyn.Comp.	Class 1	Dry		Dynamometer Compression
DY0204	D180	Aluminium	Dyn.Comp.	Class 1	Tight		Dynamometer Compression
DY0304	D180	Aluminium	Dyn.Comp.	Class 1	Oilfilled		Dynamometer Compression
DY0402	D100	Aluminium	Dyn.Trac.	Class 1	Dry		Dynamometer Traction
DY0502	D100	Aluminium	Dyn.Trac.	Class 1	Tight		Dynamometer Traction
DY0403	D150	Aluminium	Dyn.Trac.	Class 1	Dry		Dynamometer Traction

## References - outlet / fitting / dial / options



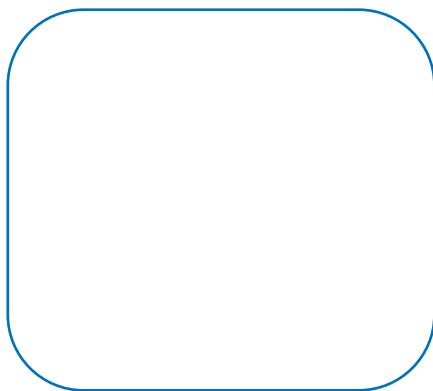
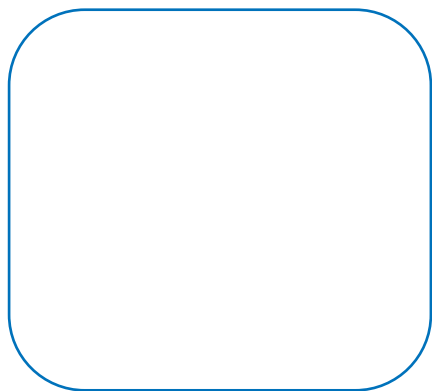
Code base	Outlet	Fitting	Dial Code	Option	Description
See p30-31	V (vertical)	10 (M10x100)	xxxx	"-35"	BLUE NEEDLE
	A (rear)	10E (M10x100 ERAM)	(see product page)	"-36"	YELLOW NEEDLE
		15 (M15x150)		"-37"	RED NEEDLE
		20 (M20x150)		"-38"	GREEN NEEDLE
		14G-CO (1/4"GAS conical)		"-39"	ORANGE NEEDLE
		18G (1/8"GAS)			INDICATOR NEEDLE:
		14G (1/4"GAS)		"-01"	for gauge dry version Ø 60-100-150 mm
		38G (3/8"GAS)		"-02"	for gauge tight version Ø 60-100-150 mm
		12G (1/2"GAS)		"-01"	for vacugauge Ø 60 & 80 composite tight & Pulse-free
		18B (1/8"NPT)		"-14"	SILVER BRASING
		14B (1/4"NPT)		"-03"	OVERLOAD STOP
		12B (1/2"NPT)		"-04"	NON-STANDARD DIAL (supplement)
		14S (1/4"SAE)		"-30"	BLUE COLLAR
				"-31"	YELLOW COLLAR
				"-32"	BLACK COLLAR
				"-33"	RED COLLAR
				"-34"	GREEN COLLAR
				"-CET"	SIMPLE CALIBRATION CURVE
				"-CEC"	CALIBRATION CURVE + Serial Number on Dial
				"-COF"	COFRAC CALIBRATION CURVE + Serial Number on Dial
				"-DIF"	DIFFERENTIAL CALIBRATION CURVE + Serial Number on Dial
				"-BNM"	BNM CALIBRATION CURVE
				"-10"	ABSOLUTE CALIBRATION
				"-11"	DIFFERENT CALIBRATION OF THE SCALE
				"-12"	OXYGEN CALIBRATION
				"-78"	MARKED LABEL
				"-79"	METAL LABEL
				"-21"	VACUUM DEGREASING
				"-22"	BI OVERPRESSURE VENT
				"-28"	PX OVERPRESSURE VENT
				"-05"	SPECIAL DIAL GRADUATION (mmCe - MPa ,,,,)
				"-82"	CARRYING CASE with protective foam

## References – outlet/connection/dial/options



Code base	Outlet	Fitting	Dial Code	Option	Description
See p30-31	V (vertical)	10 (M10x100)	xxxx	"-MO"	NOTA MARKING (B5492)
	A (rear)	10E (M10x100 ERAM)	(see product page)	"-83"	A.P. MECHANISM (Anti-Pulse)
		15 (M15x150)		"-SNC"	Serial Number on Dial (without certificate)
		20 (M20x150)		"-50"	ANTI-IMPACT PROTECTION D60 GREY
		14G-CO (1/4"GAS conical)		"-51"	ANTI-IMPACT PROTECTION D60 GREY - WITHOUT HOOK
		18G (1/8"GAS)		"-52"	ANTI-IMPACT PROTECTION D60 RED
		14G (1/4"GAS)		"-53"	ANTI-IMPACT PROTECTION D60 RED - WITHOUT HOOK
		38G (3/8"GAS)		"-54"	ANTI-IMPACT PROTECTION D60 BLUE
		12G (1/2"GAS)		"-55"	ANTI-IMPACT PROTECTION D60 BLUE - WITHOUT HOOK
		18B (1/8"NPT)		"-56"	ANTI-IMPACT PROTECTION D60 YELLOW
		14B (1/4"NPT)		"-57"	ANTI-IMPACT PROTECTION D60 YELLOW - WITHOUT HOOK
		12B (1/2"NPT)		"-58"	ANTI-IMPACT PROTECTION D80 GREY - WITHOUT HOOK
		14S (1/4"SAE)		"-59"	ANTI-IMPACT PROTECTION D80 RED - WITHOUT HOOK
				"-60"	ANTI-IMPACT PROTECTION D80 BLUE - WITHOUT HOOK
				"-61"	ANTI-IMPACT PROTECTION D80 YELLOW - WITHOUT HOOK
				"-62"	ANTI-IMPACT PROTECTION D100 GREY
				"-63"	ANTI-IMPACT PROTECTION D100 GREY - WITHOUT HOOK
				"-64"	ANTI-IMPACT PROTECTION D100 RED
				"-65"	ANTI-IMPACT PROTECTION D100 RED - WITHOUT HOOK
				"-66"	ANTI-IMPACT PROTECTION D100 BLUE
				"-67"	ANTI-IMPACT PROTECTION D100 BLUE - WITHOUT HOOK
				"-68"	ANTI-IMPACT PROTECTION D100 YELLOW
				"-69"	ANTI-IMPACT PROTECTION D100 YELLOW - WITHOUT HOOK
				"-70"	ANTI-IMPACT PROTECTION D150 GREY
				"-71"	ANTI-IMPACT PROTECTION D150 GREY - WITHOUT HOOK
				"-72"	ANTI-IMPACT PROTECTION D150 RED
				"-73"	ANTI-IMPACT PROTECTION D150 RED - WITHOUT HOOK
				"-74"	ANTI-IMPACT PROTECTION D150 BLUE
				"-75"	ANTI-IMPACT PROTECTION D150 BLUE - WITHOUT HOOK
				"-76"	ANTI-IMPACT PROTECTION D150 YELLOW
				"-77"	ANTI-IMPACT PROTECTION D150 YELLOW - WITHOUT HOOK
				"-E"	ERAM FITTING

## References – outlet/connection/dial/options



Code base	Outlet	Fitting	Dial Code	Option	Description
See p30-31	V (vertical)	10 (M10x100)	xxxx		ZEROING SCREW WITH KNURLED KNOB
	A (rear)	10E (M10x100 ERAM)	(see product page)	"-08"	for dry version pressure gauge
		15 (M15x150)		"-09"	for Tight & Oilfilled version pressure gauge
		20 (M20x150)		"-23"	GLYCERINE FILLING
		14G-CO (1/4"GAS conical)		"-06"	MAXIMUM INDICATOR SYSTEM PER FOLLOWING NEEDLE
		18G (1/8"GAS)			for gauges Ø 60-80-100-150 mm
		14G (1/4"GAS)			dry or tight version
		38G (3/8"GAS)		"-13"	HELIUM TEST
		12G (1/2"GAS)		"-07"	TIGHT SIGHTGLASS
		18B (1/8"NPT)		"-"	SMOOTH STAINLESS STEEL TUBE OUTLET
		14B (1/4"NPT)		"-16"	SMOOTH BRASS TUBE OUTLET
		12B (1/2"NPT)		"-18"	TEAT OUTLET STAINLESS STEEL
		14S (1/4"SAE)		"-17"	TEAT OUTLET BRASS
				"-"	AEROSOL VALVE STAINLESS STEEL
				"-"	AEROSOL VALVE BRASS
				"-81"	AUTOMOTIVE VALVE (+ Teat + Flexible)
				"-84"	AUTOMOTIVE VALVE (+ Teat + Flexible + Bleed valve)



